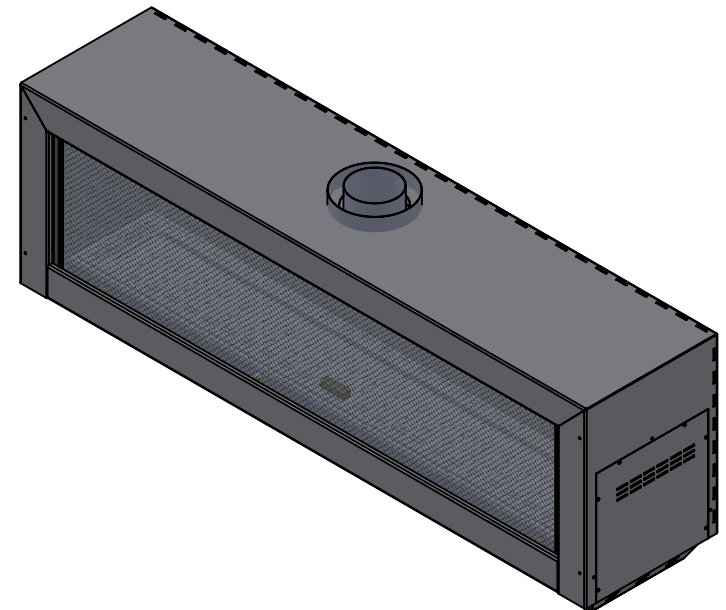
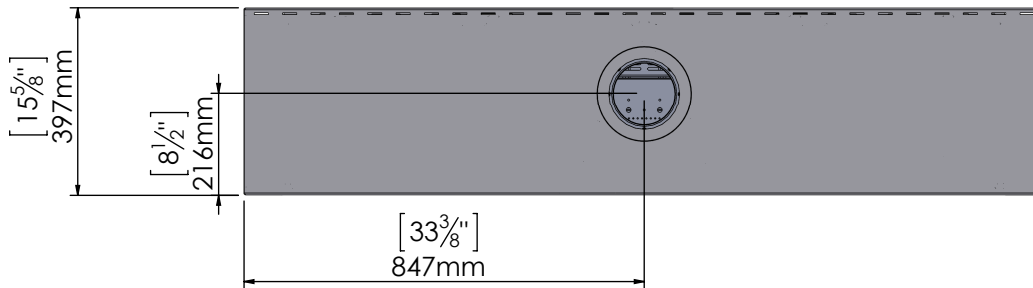
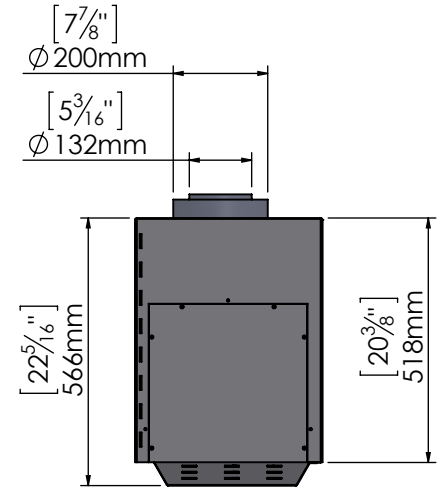
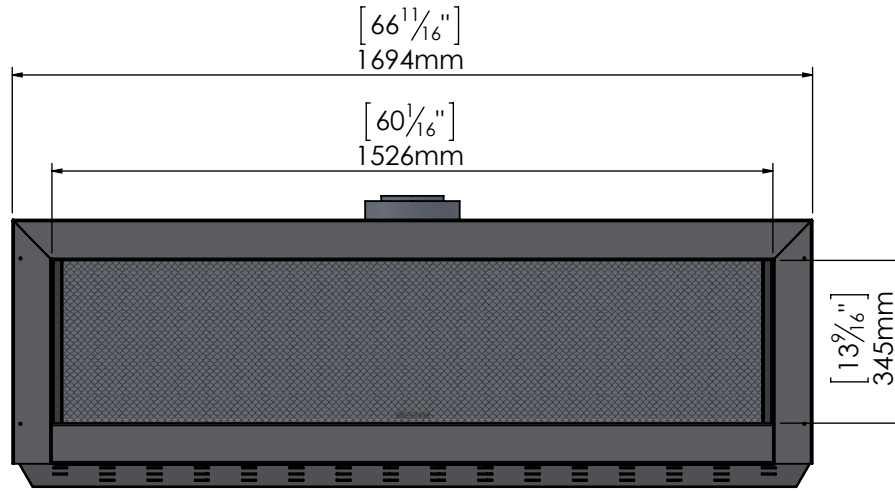
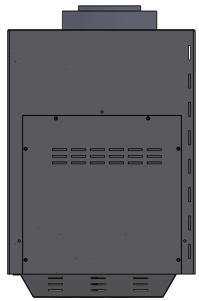
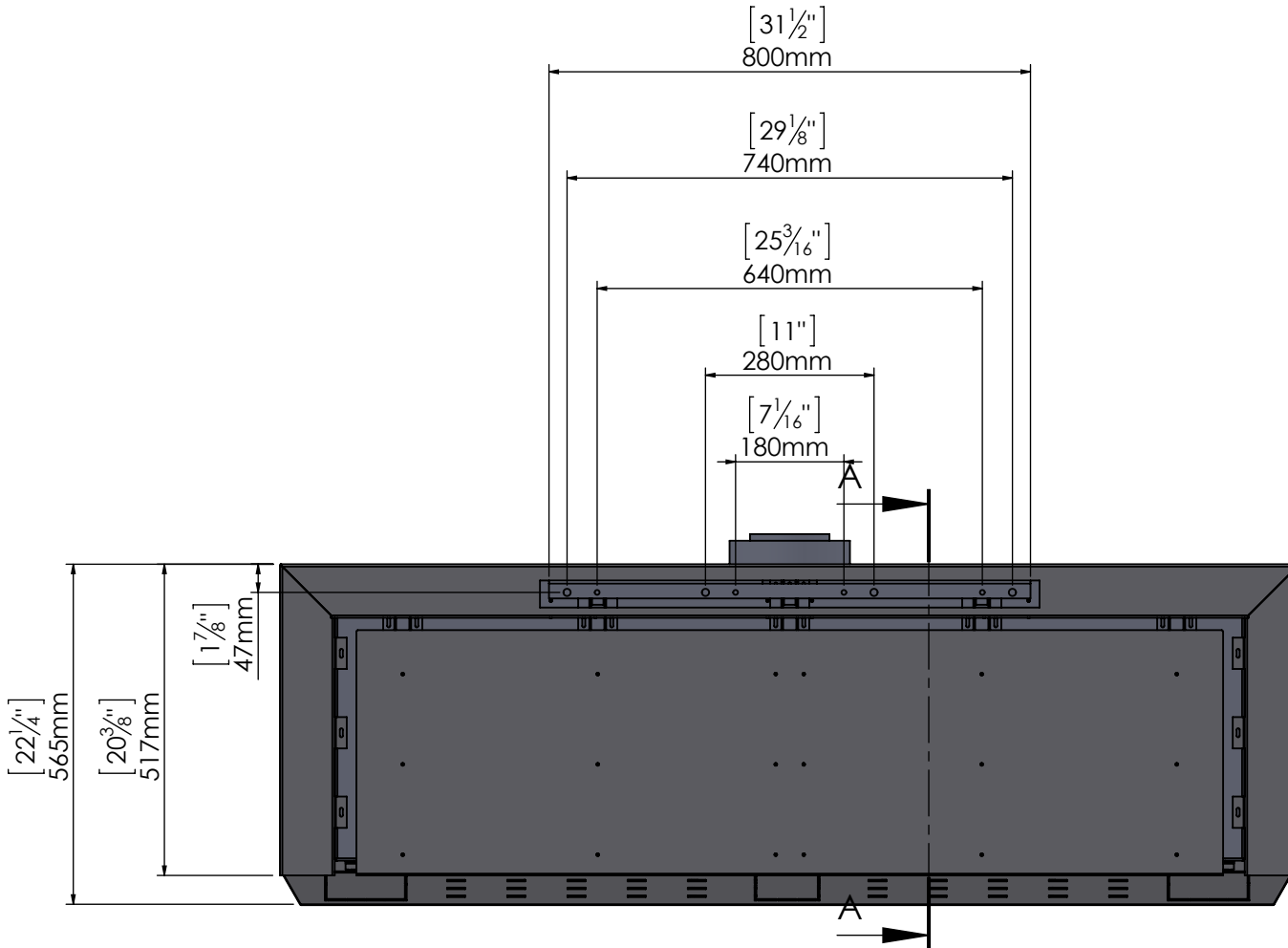


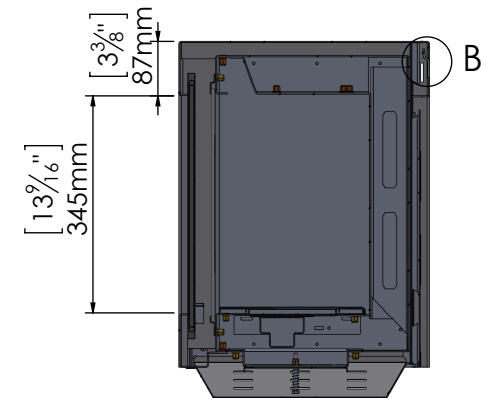
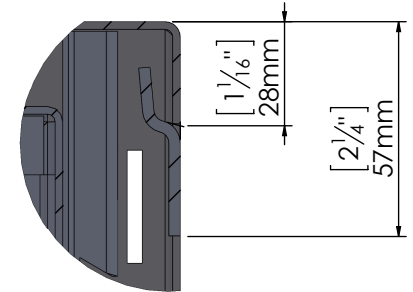
# 150 Front Stand Alone Screen



# 150 Front Stand Alone Screen



DETAIL B  
SCALE 1 : 2



SECTION A-A  
SCALE 1 : 12

# 150 Front Stand Alone Screen

