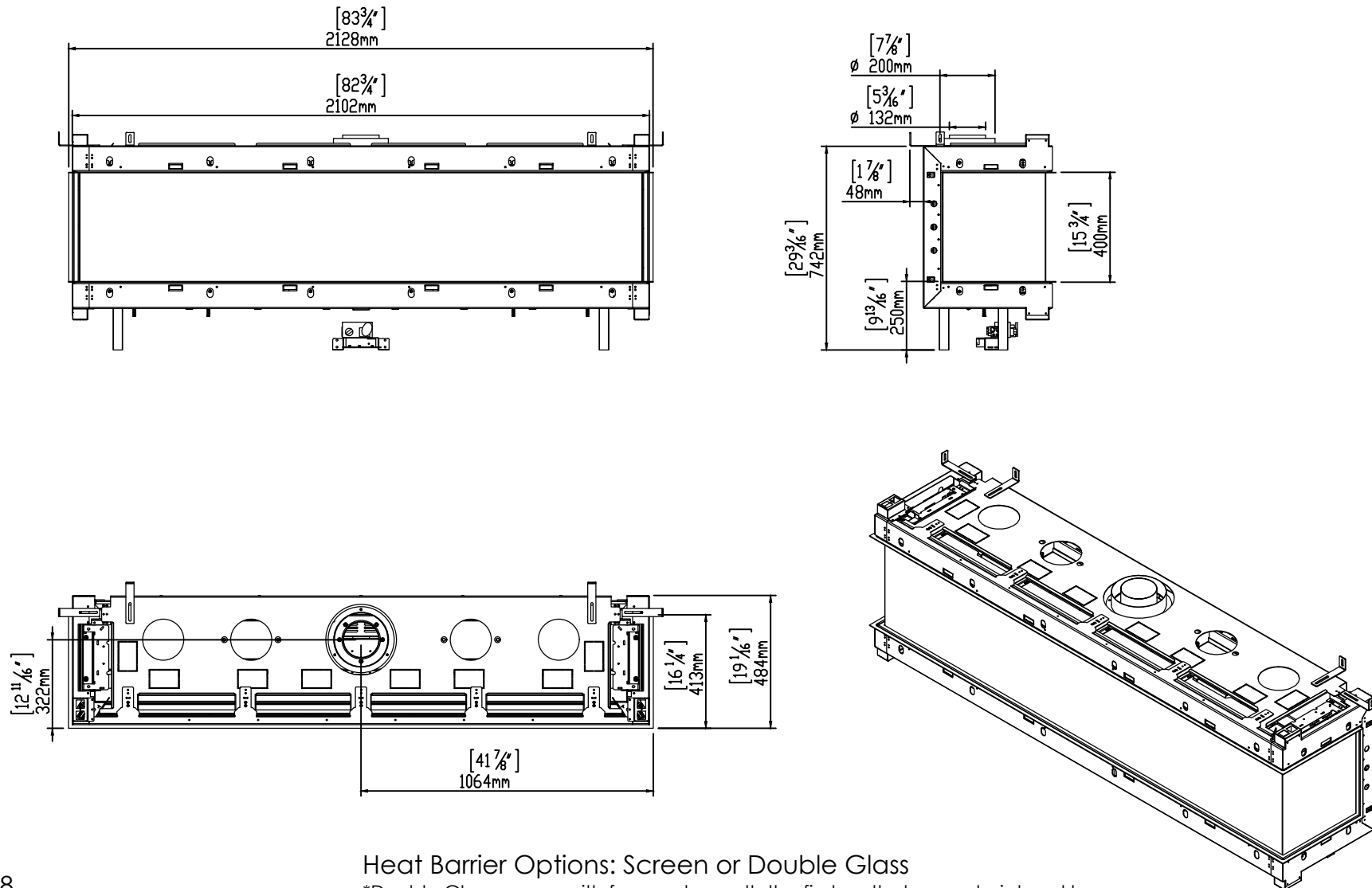


# ORTAL

YOUR LIFE. YOUR FIRE

## 200 TS



8/15/2018

Heat Barrier Options: Screen or Double Glass

\*Double Glass comes with fans underneath the firebox that are not pictured here.