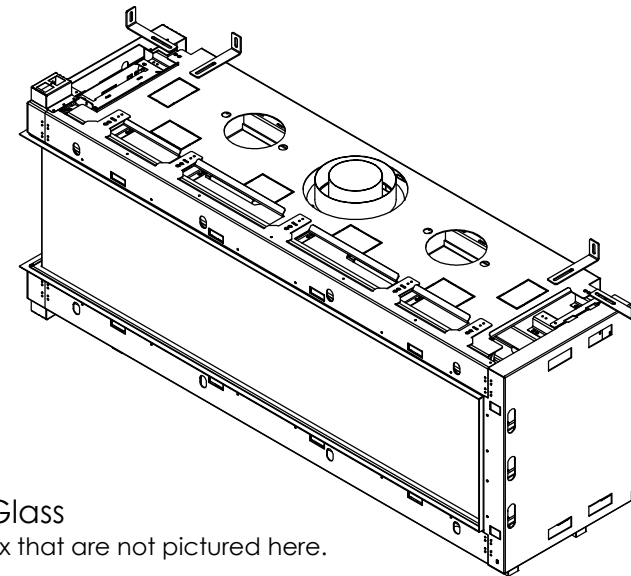
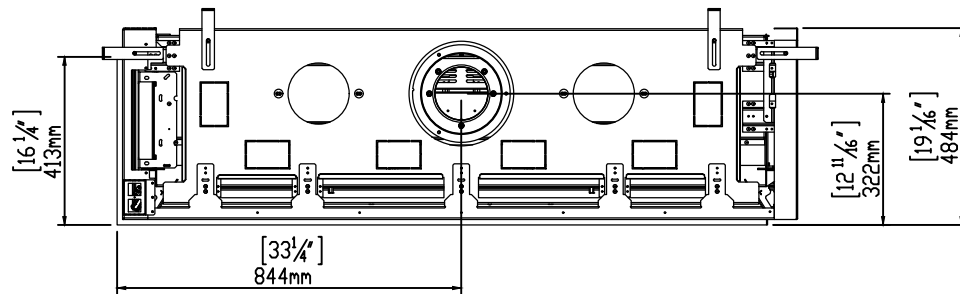
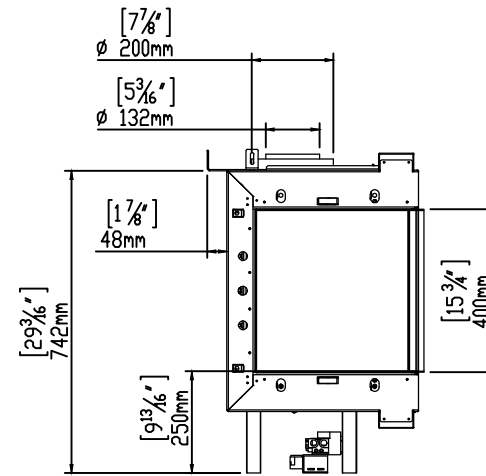
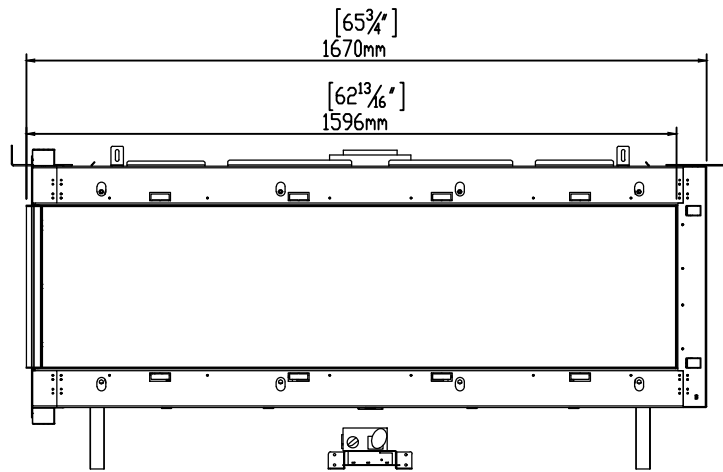


ORTAL

YOUR LIFE. YOUR FIRE

150 LS



8/15/2018

Heat Barrier Options: Screen or Double Glass

*Double Glass comes with fans underneath the firebox that are not pictured here.