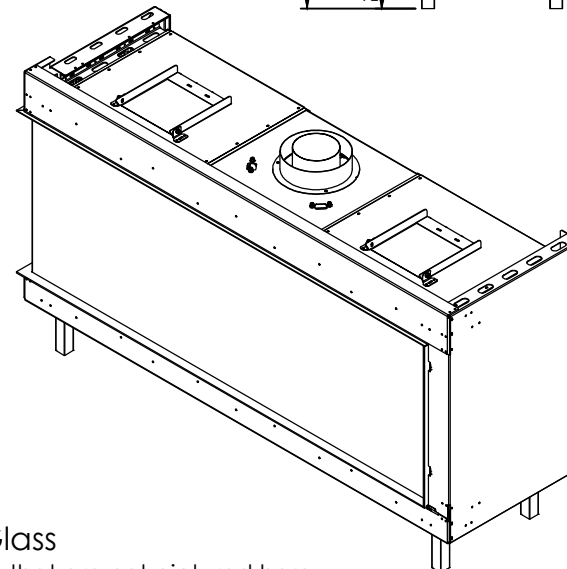
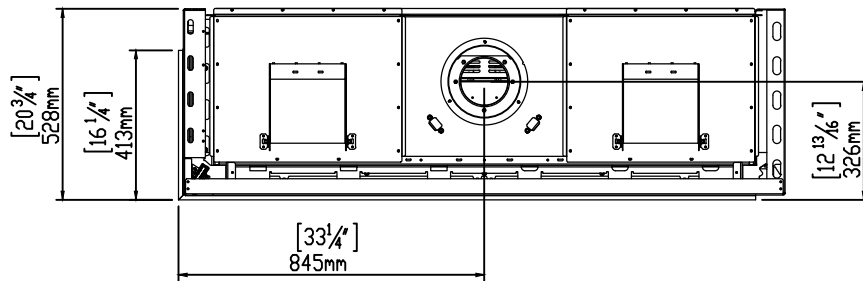
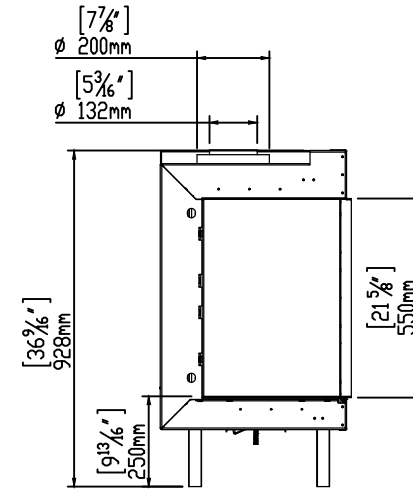
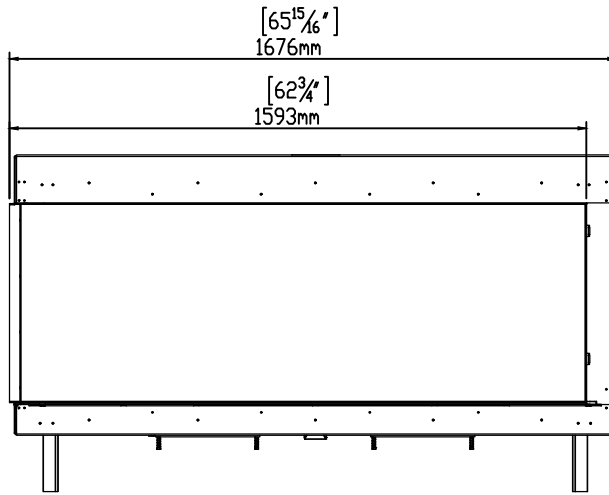


**ORTAL**  
YOUR LIFE. YOUR FIRE

# 150H LS



8/15/2018

Heat Barrier Options: Screen or Double Glass

\*Double Glass comes with fans underneath the firebox that are not pictured here.