



Entertainer

- BUILT-IN-BRAAIS -

The Chad-O-Chef Entertainer built-in-braai is the ideal catering solution for any entertainment area.

An elegant stainless steel housing provides the perfect setting for your Chad-O-Chef gas grill.

Accompanied by our Sizzler gas braai, the Entertainer built-in-braai has ample room to braai up to two large steaks per burner, and the ability to add even more cooking options by adding our commercial strength Rotisserie Spit option.

While you're cooking, the Entertainer's bottom door doubles as a convenient work surface, as you sizzle up a storm.

- Available in 4, 5 & 6 Burner
- LP Gas / Natural Gas options available
- 304 Inland grade / 316 Coastal Grade
- Forced Draught or Natural Draught Extraction options
- Warmer Grid or Rotisserie Option
- Lightfitting Standard (All Units)



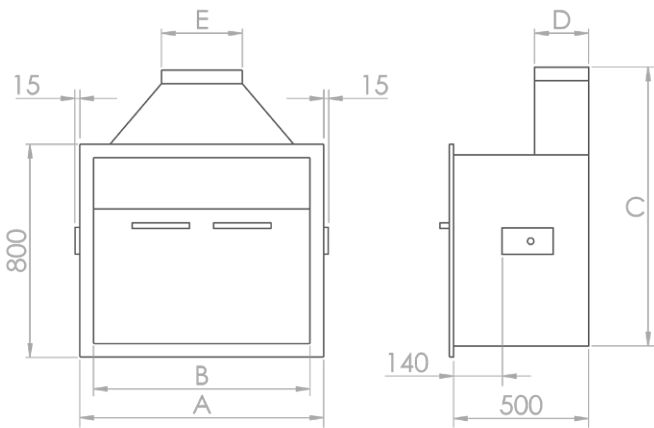
SAFETY, STYLE & QUALITY THAT LASTS

Since 1983
CHAD-O-CHEF
Lifestyle products



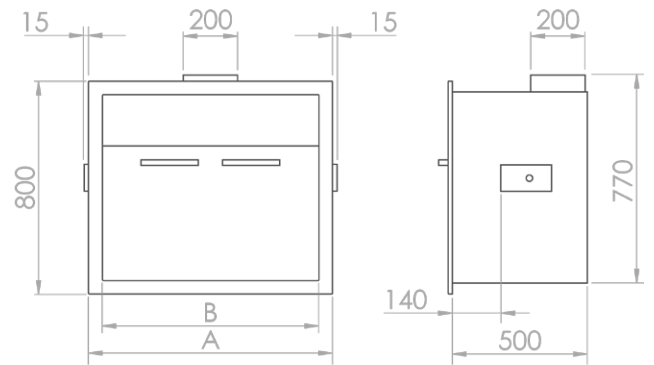
Entertainer

- BUILT-IN BRAAIS -



NATURAL DRAUGHT

Model	A	B	C	D	E
4B	900	800	1050	200	300
5B	1075	975	1050	200	400
6B	1250	1150	1170	330	330



FORCED DRAUGHT

Model	A	B
4B	900	800
5B	1075	975
6B	1250	1150



INSTALLATION INSTRUCTIONS

The Entertainer Built-In-Braai is designed to be bricked into place once set on top of load bearing lintels. The lintels should be set at a height of 800-900mm (depending on your preferred height)

The **Forced Draught** option requires the addition of extractor components to ensure the removal of smoke from the Braai and is necessary where there is no space for a traditional chimney. * Please see our website, for more info on Extractor components.

The **Natural Draught** option is a self venting Built-In-Braai where there is space for a traditional chimney to be built.

*The Entertainer Built-In-Braai cannot be retrofitted into an existing aperture. (See our Sizzler Gas Braai for retrofitting purposes)

ACCESSORIES



Warmer Grid



Rotisserie Kit



Stir Fry Pan

