



news

#february 2018

SEGUIN GROUP

**French manufacturer
& training center
at customer service**

Group Seguin has more than 120 people working in Seguin head company in the Auvergne region and its 2 other production units: JC bordelet (in Montpellier, FR) and Axis steel fireboxes (in Belley, FR).

Group Seguin has a strong network of dealers in France and worldwide, active on all the segments of the market, providing high quality products in technology and design.

As a strong milestone of Group Seguin development, the training center (located in

Randan, FR) services a hundred of trainings every year, on the products, their installation and use. This professionalization is enhanced in 2016 with the 400 square meters extension of the training center .

Group Seguin and its dealers have established strong relations based upon trust and long-term partnership. Seguin dealers are professional craftspeople and guarantee expertise in Group Seguin products and installations.

CONTENTS

Calista 917	4 5
Design & gaz	6 9
FAE	10 11
Inserts 650 750	12 13
Insert 1000	14 15
Inserts 6021 7023 7026	16
Insert Visio 7	17
Visio 8 VL	18 19
Seguin in the world	20 21
Australia South Africa	22 23

CALISTA 917

The latest JC BORDELET creation

Designed as a space capsule, the Calista fireplace is available as a classic fireplace, but also as an avant-gardiste fireplace with a tripe-wall pipe, offering a fully airtight installation, as an avant-première in the JC Bordelet range. No need to have an outside air intake into your wall to reach optimum thermal performances. It will cause a stir of desire that others will crave with its double sided viewing area and 360° pivot rotation option. The distribution of the air flows (primary, secondary and tertiary) allows a perfect combustion: more heat, better comfort, less particles' emissions. With the same level of quality design and manufacturing, the Calista brings to your home the best of wood heating and the most perfect finishings, dear to JC Bordelet philosophy.

Fireplace available:

- Wall mounted (no pivot rotation, single sided)
- Central, double sided, with 360° pivot rotation
- Central, single sided, with 360° pivot rotation
- Central, double sided, no pivot rotation
- Central, single sided, no pivot rotation

The 5 models are available with :

- Triple wall flue pipe (150-250)
- Standard flue pipe (150)



Design & gaz

EVA 992

Circle 70 + EVA 992 central

Circle 70 & Circle 270

Puissance nominale gaz / Nominal output GN/G30-G31 6,77 kW / 5,37 kW

Rendement gaz / Efficiency GN/G30-G31 85,7% / 82,7%

Sortie / Exit Ø 10/15 cm

Circle 270 + EVA 992 wall-mounted



Design & gaz

Your gas fireplace under remote control

With the application MyFire, control your fireplace with your tablet or smartphone, from anywhere in your home.

You can increase or reduce the flames, manually or using the remote control. You can select the required temperature, and the flame will be adjusted accordingly. The app allows you to operate the shut down of the fire with a timer, or to use the 8 program settings to operate ignition, shut down and temperature.

The Eco Mode allows you to enjoy the flames while saving energy. You can activate the fan, the light, save profiles, all this with safety thanks to the child lock.

In short, a simple and fun way to realize your gas fire.

Available on Appstore and Googleplay



FAE RANGE

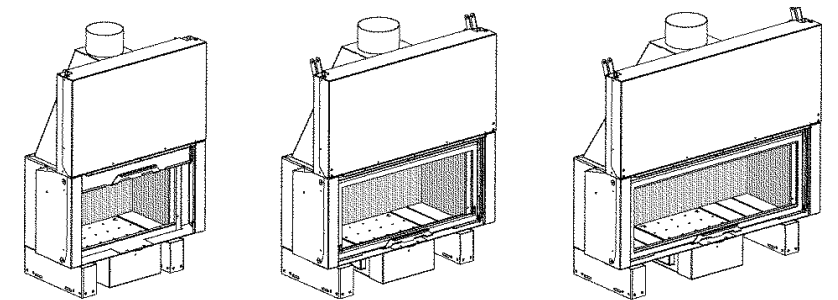
Steel and airtight firebox Cast-iron inner liner

Full tight combustion firebox. The outside air can be connected and penetrates directly into the hearth of the firebox. The air is then released into the flue pipe with the smokes, so there is no interaction between the ambient air of the house and the outside air.

- Less CO and CO₂ emissions in the atmosphere
- Longer burning term
- Tight chimney pipe
- Manual and reactive regulation
- Reduced smoke exit
 - Ø 180 for the FAE 80
 - Ø 200 for the FAE 100 et 120
- Depth < 50 cm
- Stainless steel door guidance



available in
3 dimensions



	FAE0080SF	FAE0100SF	FAE0120SF
Nominal output	7 kW	10 kW	12 kW
Efficiency	76.6%	76.6%	76.6%
CO Emission (%CO to 13% O ₂)	0.11%	0.10%	0.10%
Particules emission	26.3 mg/Nm ³	35.45 mg/Nm ³	35.45 mg/Nm ³
NO _x * at 13% of O ₂ (mg/Nm ³)	97 mg/Nm ³	100.7 mg/Nm ³	100.7 mg/Nm ³
COV* at 13% of O ₂	97.2 mg/Nm ³	80.8 mg/Nm ³	80.8 mg/Nm ³
Exit	Ø180 mm	Ø200 mm	Ø200 mm
Logs	50 cm	70 cm	90 cm
Weight	200 kg	250 kg	300 kg
Dimensions	L816 x h1215 x P497	L1016 x h1215 x P497	L1216 x h1215 x P497
Guarantee	10 years	10 years	10 years

*Nitrogen oxide
*Volatile organic compounds

INSERT 650



Nominal output	4,9 kW
Efficiency	75,4 %
CO Emission (%CO to 13% O ₂)	0,10%
Particules emission	30 mg/Nm ³
NOx* at 13% of O ₂ (mg/Nm ³)	111 mg/Nm ³
COV* at 13% of O ₂	137 mg/Nm ³
Logs	40 cm
Dimensions	L 65 x P 40 x H 49 cm
Guarantee	10 years

INSERT 750



Nominal output	7 kW
Efficiency	75,4 %
CO Emission (%CO to 13% O ₂)	0,10%
Particules emission	30 mg/Nm ³
NOx* at 13% of O ₂ (mg/Nm ³)	111 mg/Nm ³
COV* at 13% of O ₂	137 mg/Nm ³
Logs	50 cm
Dimensions	L 75,3 x P 40 x H 49,35 cm
Guarantee	10 years

*Nitrogen oxide
*Volatile organic compounds



INSERTS 650/750

With hot air ventilation option



INSERT 1000

INSERT 1000SF



Nominal output	8 kW
Efficiency	75,4%
CO Emission (%CO to 13% O ₂)	0.10%
Particules emission	30 mg/Nm ³
NOx* at 13% of O ₂ (mg/Nm ³)	111 mg/Nm ³
COV* at 13% of O ₂	137 mg/Nm ³
Logs	60 cm
Dimensions	L 100 x P 45 x H 58,7 cm
Guarantee	10 years

INSERT 1000DF



Nominal output	8 kW
Efficiency	75,4%
CO Emission (%CO to 13% O ₂)	0,10%
Particules emission	30 mg/Nm ³
NOx* at 13% of O ₂ (mg/Nm ³)	111 mg/Nm ³
COV* at 13% of O ₂	137 mg/Nm ³
Logs	60 cm
Dimensions	L 100 x P 50,65 x H 58,8 cm
Guarantee	10 years

*Nitrogen oxide
*Volatile organic compounds

INSERTS

Appliance equipped with **two thermostatic built-in blowers**, which boost the convection.

The rotation speed of the blowers is adjustable.



INSERT 6021

Nominal output	7 kW
Efficiency	78%
CO Emission (%CO to 13% O ₂)	0,10%
Particules emission	31 mg/Nm ³
NOx* at 13% of O ₂ (mg/Nm ³)	106 mg/Nm ³
COV* at 13% of O ₂	57 mg/Nm ³
Logs	40 cm
Dimensions	L59,5 x H49,5 x P45,5 cm
Guarantee	7 years



INSERT 7023

Nominal output	7 kW
Efficiency	78%
CO Emission (%CO to 13% O ₂)	0,10%
Particules emission	31 mg/Nm ³
NOx* at 13% of O ₂ (mg/Nm ³)	106 mg/Nm ³
COV* at 13% of O ₂	57 mg/Nm ³
Logs	50 cm
Dimensions	L69,5 x H54 x P45,5 cm
Guarantee	7 years



INSERT 7026

Nominal output	10 kW
Efficiency	80,0%
CO Emission (%CO to 13% O ₂)	0,10%
Particules emission	26 mg/Nm ³
NOx* at 13% of O ₂ (mg/Nm ³)	83 mg/Nm ³
COV* at 13% of O ₂	39 mg/Nm ³
Logs	50 cm
Dimensions	L69,5 x H60 x P45,5 cm
Guarantee	7 years

*Nitrogen oxide
*Volatile organic compounds

INSERT VISIO 7



Nominal output	10 kW
Efficiency	78,70%
CO Emission (%CO to 13% O ₂)	0,11%
Particules emission	20 mg/Nm ³
NOx* at 13% of O ₂ (mg/Nm ³)	77 mg/Nm ³
COV* at 13% of O ₂	112 mg/Nm ³
Logs	50 cm
Dimensions	L 71 x P 55 x H 53,5 cm
Exit	Ø 18 cm
Guarantee	10 years



VISIO 8 VL

NEW 2018

Nominal output	11 kW
Efficiency	75%
CO Emission (%CO to 13% O2)	0,09%
Particules emission	32 mg/Nm ³
Façade	80 cm
Logs	up to 65 cm
Exit	Ø 20 cm
Guarantee	10 years





Seguin Group, is not only the French leader, but also a company developing its network internationally since 15 years.

Nowadays Seguin group is present in more than 40 countries all over the world, with around a hundred of importers and dealers.

We are a dedicated team at the service of our international customers, with a strong experience in international business providing logistic and marketing support with the possibility to organize training sessions in our head offices or locally.

Being part of the Seguin network it's a guarantee of a successful partnership, with common values such as rigour, commitment, respect and trust.

SEGUIN GROUP

in the world 

Albania | Australia | Azerbaijan | Belarus | Belgium | Bulgaria | Canada | China
| Croatia | Cyprus | Czech Republic | Estonia | Finland | Georgia | Germany |
Greece | Hungary | Ireland | Israel | Italy | Japan | Kazakhstan | Kosovo | Latvia |
Lebanon | Lithuania | Luxembourg | Malta | Moldavia | Morocco | Norway | Poland
| Portugal | Romania | Russia | Serbia | Slovakia | Slovenia | South Korea | Spain
| Sweden | Switzerland | Turkey | Ukraine | United Kingdom | United States



«Seguin group is expanding beyond the european borders. We are now proud to supply Asian customers with our french-made style fireplaces and recently customers from the Southern Hemisphere.»

2015: Start of the partnership with our exclusive importer in Australia, the company Sculpt. Since then, development of a new range of product dedicated to the specific needs of this market: the zero clearance box.

SCULPT™
FIREPLACE
COLLECTION

2018: Latest country opening: South Africa.

A new perspective and a promising market!



Australia



South Africa

zwen

#février 2018



SEGUIN 
GROUP

Z.I. de Lhérat - 63310 Randan - France
+33 (0)4 70 56 16 00 - www.seguin.fr - export@seguin.fr

 Made in France