

Manufacturer's Warranty

SAfire warrants their Fires for 10 years under normal use. This would include Warping, buckling or bending that may arise from faulty workmanship or poor steel quality from our steel suppliers. This does not include moving parts such as the control valve and ODS Pilot. These items are guaranteed for 2 years under normal use.

The warranty excludes corrosion and as with any steel product, a certain degree of maintenance and servicing of the appliance and gasline is required to prolong the lifetime of the appliance. Failure to do so will cause premature breakages of moving parts.

Any claims should be accompanied by the proof of purchase. The appliance will be inspected by a SAfire agent and their decision on whether the appliance should be replaced or repaired, is final.

Please note the warranty shall become invalid under the following conditions:

- If the appliance has not been installed by a SAfire accredited and/or a SAQCC-Gas registered LP Gas Installer.
- If the owner is not in possession of a Certificate of conformity issued by the registered LP Gas installer.
- If the product has not been installed according to the requirements of SANS 10087-1 and any applicable local authority by laws.
- If there is evidence that the product has not been used correctly and/or according to this instruction manual.
- If the owner or anyone else has made any modifications to the product.
- If the ownership-card and required information was not returned with proof of purchase to the manufacturer within 90 days of original purchase.

If damage is caused to the appliance due to faulty/ incorrect regulators and/or dirt/cement/water in pipeline, the parts may be replaced at the owners cost.

SAfire shall only take full responsibility for installations carried out by a SAfire accredited installer. This would include odours caused by incorrect installations.

Dealer Stamp

Distributed by
Heatem Up SA
Brackenfell
083 945 8487

Issue 1 -2017



SAFIRE

Operating and installation
instructions for

Drop - in Flueless

Space Heater

These Fireplaces may only be installed by a
registered LP Gas Installer.

Please read these instructions carefully and
retain them for future reference

MODELS

800 Drop in Manual and Remote
1000 Drop in Manual and Remote
1200 Drop in Manual and Remote
1400 Drop in Manual and Remote
1750 Drop in Manual and Remote
2000 Drop in Manual and Remote

Warning

This appliance shall not be installed in separately enclosed bathrooms

Warning

This is an unflued gas fired heater. It uses air (oxygen) from the room in which it is installed. Provisions for adequate ventilation must be provided. Refer to the appropriate section of the user manual

Warning

CARBON MONOXIDE POISONING CAN LEAD TO DEATH

Carbon Monoxide Poisoning: Early signs of carbon monoxide poisoning resemble the flu, with headaches, dizziness or nausea. If you have these signs, the heater may not be working properly. Get fresh air at once ! Have the heater serviced. Some people are more affected by carbon monoxide than others. These include pregnant women, people with heart or lung disease or anaemia, those under the influence of alcohol, and those at high altitudes.

Warning: Insufficient ventilation will cause an increase in the moisture level in the room which may damage wallpaper, curtains and other soft furnishings leading to the formation of mould. Should this occur, increase the level of ventilation in the room.

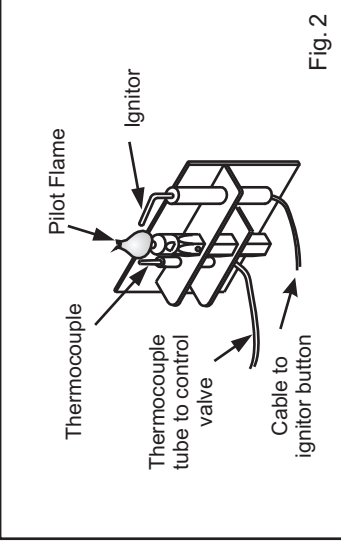


Fig. 2

View showing the ignitor /pilot flame assembly situated on the right hand side of the burner tray. Refer to sections 5 and 6 for information regarding these items

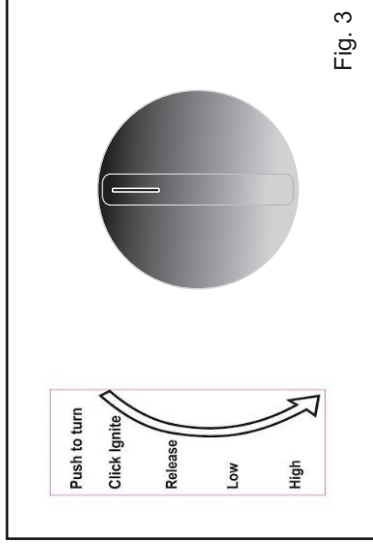


Fig. 3

View of Fireplace Control Knob positions. It is shown in the Off position. Note that to turn it to the ignite position it is necessary to push the knob in before attempting to turn it. To attempt to turn the knob without pushing it in may damage the mechanism. After igniting the pilot light you must hold the knob in the pushed in position for approximately 15 to 20 seconds before the pilot light will remain on thus enabling the main burner to be ignited.

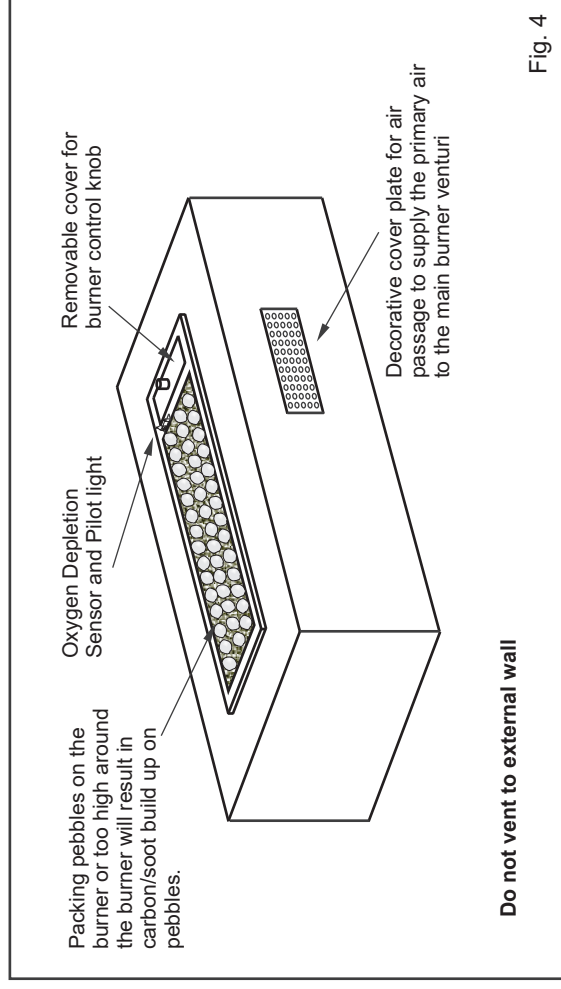


Fig. 4

These fireplaces have been designed and manufactured in South Africa to suit the requirements of the South African climate and conditions. They have been tested in South Africa and fully comply with the local standards. See the front cover of this booklet for details of the LPGSASA Verification permits for your specific model.

It is important to note that the fireplace many only be installed by a Registered LP Gas Installer. The installation must be carried out in compliance with the requirements of SANS 10087-1 and any applicable local by laws that may be in place. Failure to adhere to this requirement will make the installation illegal and will also invalidate the manufacturer's warranty. When complete the installer is required to issue you with a Certificate of Conformity. Make sure that you get this document as your insurance company may request a copy. The certificate of conformity must fully describe the installation and show the physical address of the installation site. It must also carry the name, registration number and contact details of the installer.

1. Technical specifications

All models:

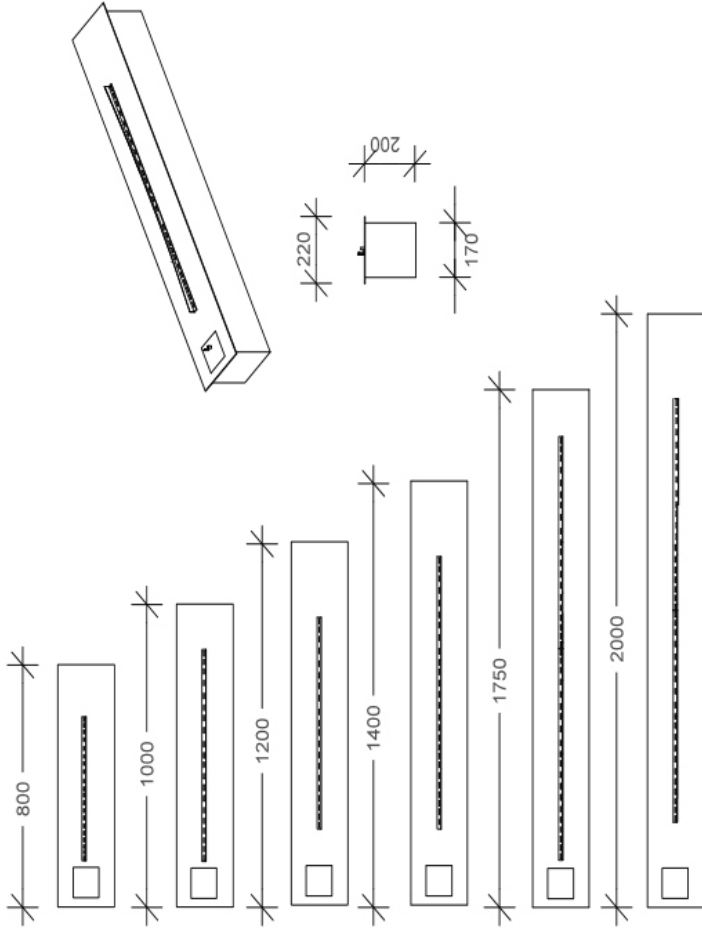
Gas Type: LPG

Operating Pressure: 2,8 kPa

Note: These appliances require a gas pressure of 2,8 kPa at the appliance when the fireplace is at the maximum heat setting. **It is important for the correct functioning of the appliance that this requirement is proven by carrying out a pressure test after installation.**

2. General safety information

- The gas supply will require at least one 48 kg LPG cylinder for efficient performance. This cylinder may not be installed inside the premises. (see installation instructions)
- Keep young children away from the appliance when in use and always use a fireguard in front of the appliance when in use if children or animals are in the room.
- In the event of a burnback, where the flame burns back to the jet, immediately turn off the gas supply at the control valve on the front panel. After ensuring the flame is extinguished, re-light the appliance in the normal manner. Should the appliance again burn back, close the control valve and call a service technician to examine the appliance. Do not use the appliance again until the service technician has declared that it is safe to do so.
- If a gas leak is suspected e.g you can smell gas, close the control valve of the fireplace. Check that there are no open flames or other sources of ignition within 5 metres of the appliance and then carry out the checks described below.
- Never check for gas leaks with an open flame e.g a lit match or lighter as this is extremely dangerous.
- To check for a gas leak, use a brush dipped in a 50/50 mix of water and dishwashing liquid apply this to all the joints in the system starting at the cylinder connections. If there is a leak then bubbles will form. If this happens turn off the gas supply at the isolation valve which the installer will provide as a part of the installation. Call a service technician to examine the cylinder, regulator and appliance, and do not use the gas system until the service technician has declared that there are no leaks and that the gas system is safe to use.
- Ensure that the appliance is used away from flammable materials. If installing in an open area without a firebox ensure that the surrounding area is clear of flammable materials for a minimum of 1 metre all round the appliance.
- This appliance is fitted with an Oxygen Depletion Sensor for your safety (See Fig 3). Its function is to shut down the gas supply to the appliance in the event of a burner flame out or other malfunction. **Do not interfere with or remove or modify this device.**



Vent free drop in	Cut out size	Actual size	Output	Consumption	Jets
800mm	770 x 200 x 200d	800 x 220 x 170d	6.5kw	425g	1 x 1.4mm jet
1000mm	970 x 200 x 200d	1000 x 220 x 170d	10kw	675g	1 x 1.7mm jet
1200mm	1170 x 200 x 200d	1200 x 220 x 170d	10kw	675g	1 x 1.7mm jet
1400mm	1370 x 200 x 200d	1400 x 220 x 170d	11kw	925g	1 x 2.1mm jet
1750mm	1720 x 200 x 200d	1750 x 220 x 170d	20kw	1355g	2 x 1.7mm jets
2000mm	1970 x 200 x 200d	2000 x 220 x 170d	20kw	1355g	2 x 1.7mm jets

3. Installation instructions

- This appliance is a **flueless appliance**. Note carefully the ventilation requirements indicated in section 6 of this booklet as well as the specific requirements in SANS 10087-1. Do not install the appliance if the ventilation requirements are not met. Failure to adhere to this requirement will make the complete installation non compliant, will invalidate the manufacturer's warranty and more importantly place the occupants at risk.
- This appliance requires an operating pressure of 2,8 kPa at the appliance. A suitable LPG regulator that complies with the requirements of SANS 1237 must be installed outside.
- Ensure that the flow capacity of the installed regulator is sufficient to drive the gas grate model to be installed.
- When installing the gas grate into a raised plinth it is important to provide an air passage in at least one side of the raised plinth to provide a path for the primary air to reach the burner venturi. **Failure to do this will result in a burner malfunction and will create an unsafe situation.**
- See Fig. 1 for gas grate dimensions. This information will assist in building a raised plinth to suit the specific model being installed. It is recommended that the raised plinth be between 500 mm and 600 mm high.
- **It is particularly important to ensure that the Flueless Fires fireplace is placed on a flat level surface.** Failure to take note of this may lead to performance problems.
- Do not connect the gas supply to the appliance using flexible hose as the heat from the gas grate may damage the hose. It is recommended that copper pipe according to the requirements of SANS 10087-1 be used.
- Follow the notes in section 4 to prepare the Gas Grate for use. The Gas Grate is supplied with the correct amount of vermiculite and the required number of pebbles to suit each model.
- Before lighting the appliance for the first time ensure that there are no gas leaks and that a pressure test is done. **Always check the line pressure at the appliance. The minimum required line pressure at the appliance is 2,8 kPa. This is vitally important to ensure that the appliance meets its designed efficiency and combustion safety levels.**
- You are required to light the burner in the presence of the owner/ user and to instruct that person in the safe operation of the appliance and the complete installation.
- It is particularly important to show the user the position of the isolator valve
- Installers are required to provide the owner/user with a completion certificate which must be dated and signed by both parties. Ensure that your name, Registration number and contact details appear on the certificate.

4. Fireplace preparation

- Pour the vermiculite into the burner tray until it is level with the edges of the tray.
- Randomly place a single layer of pebbles on top of the vermiculite bed so that the grate area is completely covered with pebbles. It is important however that there is a small gap left between each of the pebbles. This gap should be between 3 and 5 mm.

5. Lighting and shutting down the appliance

- The appliance is fitted with a Piezo Ignitor built into the control valve which automatically ignites the gas grate when the control valve knob is turned to the ignite position and does not require the use of a lighter or matches to light it. (see Figs. 3 & 4)
- After checking that the gas supply to the gas grate is turned on, Push the control knob in and turn it anticlockwise to the ignite position whilst holding the knob pushed in. This should ignite the pilot burner. If the pilot burner does not ignite the first time repeat the above step by turning the control knob back to the off position and try again.
- Once the pilot burner is lit, hold the knob in the pushed in position for approx 15 to 20 secs to ensure that the pilot burner remains alight.
- Now adjust the main burner flame by turning the control knob in an anti clockwise manner to the required level of heat output. When the control knob is turned fully anticlockwise, the gas grate is at its highest heat setting.
- To reduce the heat output turn the control knob in clockwise direction.
- To light the appliance manually first light a match or barbecue lighter. Push the control knob in and turn it anticlockwise to the ignite position whilst holding the knob pushed in. Whilst still holding the knob in, offer the lit match or barbecue lighter up to the pilot light (see Figs. 2 & 4). This will ignite the pilot. Once the pilot is lit follow the instruction above to ignite the fireplace burner and adjust the heat setting
- To shut down the appliance push in and turn the control knob in a clockwise direction to the off position.

6. Ventilation requirements

- There are certain important safety guidelines to be followed with regards to the provision of adequate permanent ventilation for flueless appliances. These guidelines must be noted and the installation is required to follow the recommendations. These are covered in SANS 10087-1 and your installer is required to install the

appliance in accordance with the requirements of that code.

- **Do not install this appliance in bedrooms or bathrooms.**
- Take specific note of the minimum room requirements with regarding the installation in rooms where the minimum room volume requirements are not met. The adding of the volume of a directly adjoining room in order to calculate the ventilation requirements may only be applied if there is not a closable door or partition between the room in which the appliance is to be installed and the adjoining room.
- The strict rule to be applied is that if the installed heat input is greater than 0,25 MJ per m³ of room volume then permanent ventilation is required.
- **An openable window or door is not permanent ventilation**
- The table below gives the minimum living room sizes per model that the appliances may be installed in without the addition of permanent ventilation. In the case of open plan layouts, and providing there are no interleading doors, it is permissible to combine the total volume of the combined areas in determining if the minimum room volume has been met. **If the room does not meet the minimum sizes listed below it is a requirement that permanent ventilation be added to the room.**
- Where permanent ventilation openings are required they shall be at floor and ceiling levels and be of not less than the sizes indicated above per opening. **These should never be blocked.** The openings shall be directly to the outside in order to ensure the provision of fresh air into the room in which the appliance is installed. If the room volume is less than indicated below, then permanent ventilation is required. **No exceptions may be made in this regard.**
- Where permanent ventilation is required the ventilation openings are prescribed in SANS 10087-1. The minimum ventilation opening dimensions are based on the requirement of 13cm per MJ of heat input.
- For the models covered in this booklet this equates to:
- Flueless appliances add moisture to a room and apart from the fact that it is dangerous to use such appliances without adequate permanent ventilation, doing so may cause mildew to form on wallpaper and furnishings. Should this happen it indicates that there is insufficient ventilation in the room. The installer should be requested to re-examine the installation with specific regards to the provision of adequate ventilation.

7. Care and Maintenance

- There are no user service points on this appliance.
- It is recommended that the appliance be serviced by a qualified technician on an annual basis.
- Before undertaking any cleaning or maintenance work on the appliance, make sure that it is not hot and that the isolation valve is turned off.
- Where the appliance is not going to be used for extended periods it is recommended that the pebbles either be covered with a cloth or removed and stored in a clean dry and dust free environment. The purpose of this is to ensure a trouble free start up at the beginning of the next winter season. If dust does collect on the pebbles the fireplace will take a while to settle down to its normal burn pattern as the dust is burned off.
- To clean the pebbles simply brush the surface of each pebbles with a soft brush e.g. a paintbrush.
- Never immerse the pebbles in water as this may cause them to crack or split open when next used. There are no user service points on this appliance.
- It is recommended that the appliance be serviced by a qualified technician on an annual basis.
- Before undertaking any cleaning or maintenance work on the appliance, make sure that it is not hot and that the isolation valve is turned off.

8. Using the appliance

- When in use make sure that there are no flammable materials close to the front or sides of the appliance.
- Users should become familiar with the normal flame patterns of the pilot burner and the main burners.
- Be aware that the knob on the control valve may become hot when the gas grate is in use.