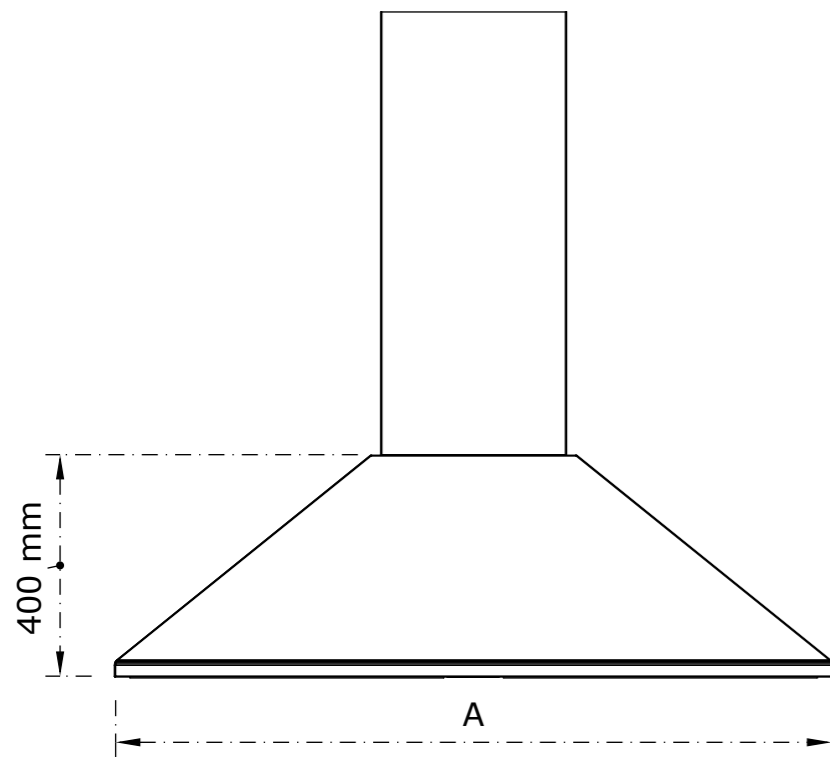
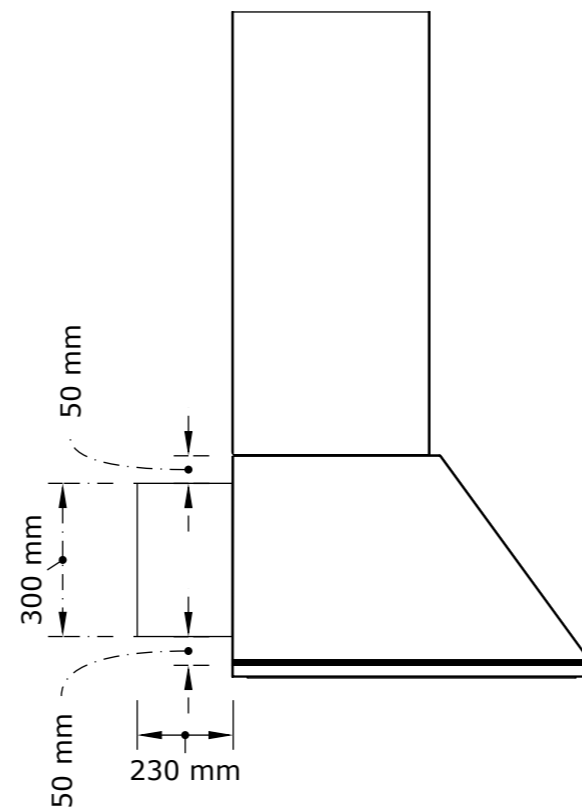




# SAFIRE



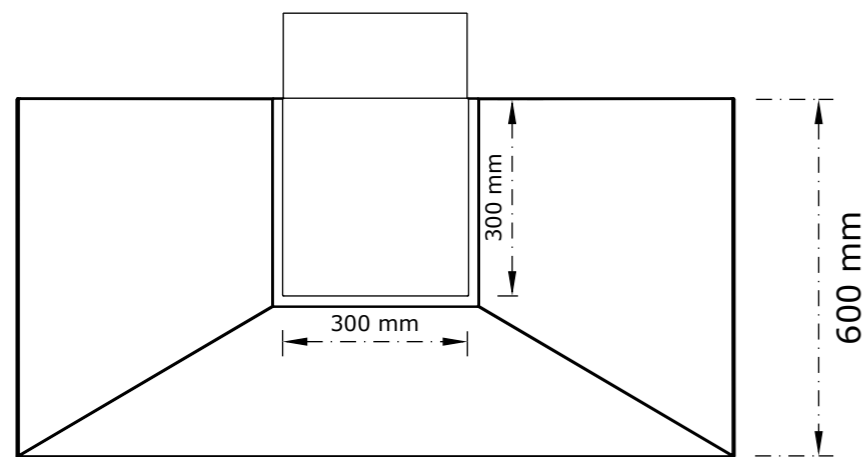
Front View



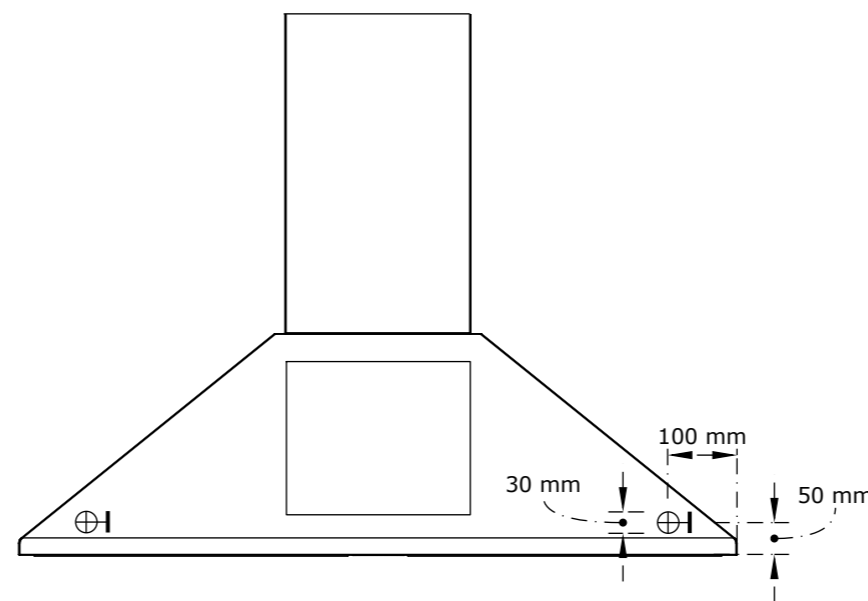
Side View

A
1000
1200
1500

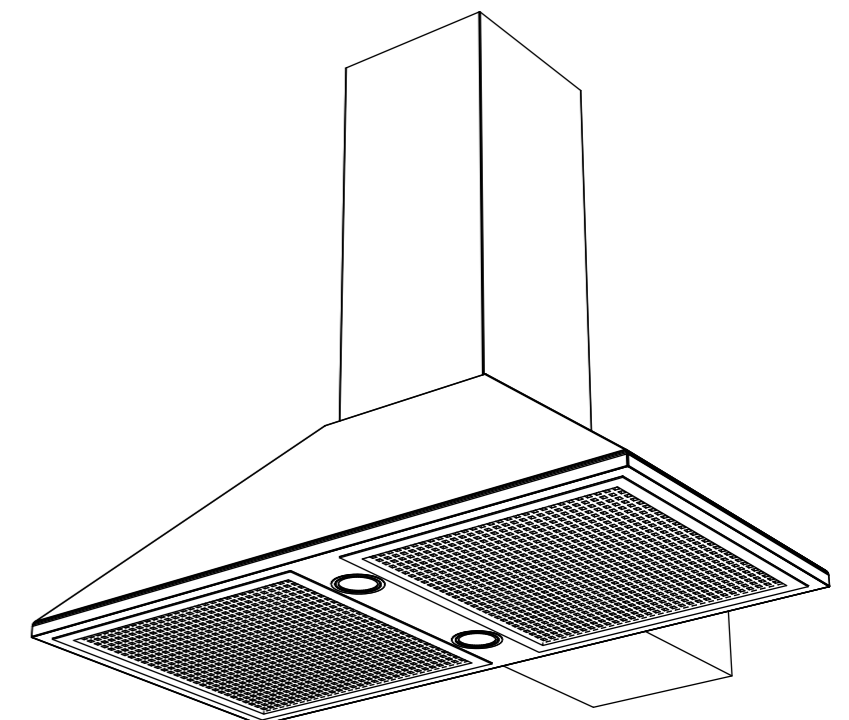
⊕ | Electrical supply by specialist to top of unit for light fitting



Top View



Rear View



3D View

## Canopy Extractor(Rear-Exit)

© This drawing is copyright and remains the property of Firescience . It may not be retained, copied or used without written consent.