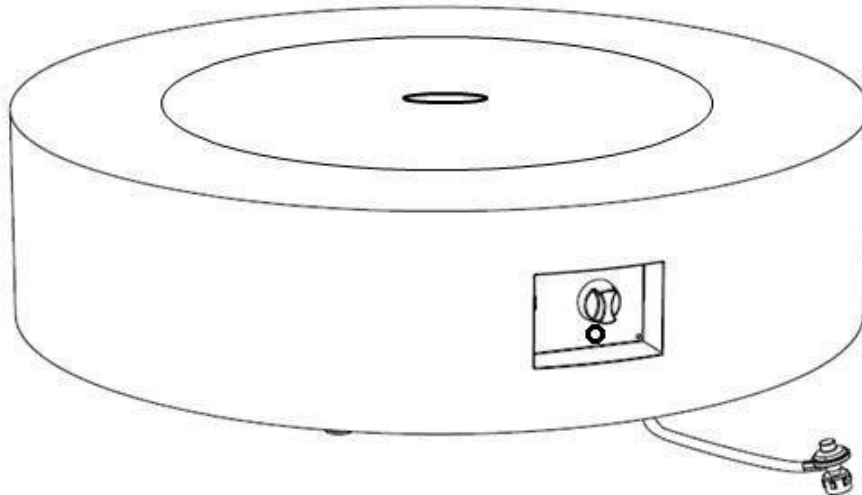


GAS FIREPIT USER MANUAL

PIN CODE:2531CS-0167



▲ IMPORTANT
READ BEFORE USE
SAVE THESE
INSTRUCTIONS

▲ Warning:
For Outdoor Use Only.
 If stored indoors, detach and leave cylinder outdoors.

▲ In the event of a blowback, close the control valve and re-ignite the appliance. If the problem persists, please contact Safire (the supplier)

▲ Warning:

- ▲ If the information in this manual is not followed exactly, a fire or explosion may result causing property damage, personal injury or loss of life.
- ▲ Installation and service must be performed by a qualified installer, service agency or gas supplier.
- ▲ Improper installation, adjustment, alteration, service or maintenance can cause injury or property damage.
- ▲ Read the installation, operation and maintenance instructions thoroughly before installing or servicing this equipment.
- ▲ Save these instructions for future reference. If you are assembling this unit for someone else, give this manual to him or her to read and save for future reference.

▲ DANGER

If you smell gas:

1. Shut off gas to the appliance.
2. Extinguish any open flame.
3. If odor continues, keep away from the appliance and immediately call your gas supplier or fire department.

▲ WARNING

Do not store or use gasoline or other flammable vapors and liquids in the vicinity of this or any other appliance.
 An LP-cylinder not connected for use should not be stored in the vicinity of this or any other appliance.

Gas Supplies Sold Separately

Table of Contents

Important Safety Information	3
Gas Dangers and Warnings	5
Hose and Regulator Assembly and Replacement	7
Parts List	8
Assembly Instructions	9
Pre-Use Instructions	13
Lighting	14
Care and Cleaning	15
Helpful Tips	16
Troubleshooting	17

DANGER

CARBON MONOXIDE HAZARD

This appliance can produce carbon monoxide which has no odor.

Using it in an enclosed space can kill you.

Never use this appliance in an enclosed space such as a camper, tent, car or home.



SPECIFICATIONS

Outdoor Gas Fire Pit

Product Name

Gas Fire Pit

Gas Type

LPG or Natural Gas

Model No.

GF-1070RDR/1070SQR/910CDR/etc.

Heat input

10 inch burner:12kW, 13inch burner:13.2kW.

Important Safety Information



FIRE TABLE IS FOR OUTDOOR USE AND DECORATIVE PURPOSES ONLY

- **WARNING** Failure to follow the dangers, warning and cautions in this manual may result in serious bodily injury or death, or in a fire or an explosion causing damage to property.
- **WARNING** Improper installation, adjustment, alteration, service or maintenance can cause injury or property damage. Read the installation, operating and maintenance instructions thoroughly before installing or servicing this equipment.
- **Minimum Clearance from Unit to Combustible Materials**
72”(182.9cm) from the top; 48” (121.9 cm) from all sides and back. Do not locate this fire table under any overhead enclosure.

IF YOU SMELL GAS

- Shut off gas supply to the fire table.
- Extinguish any open flame.
- Do not try lighting any appliance.
- Do not touch any electrical switch; do not use any phone in your building.
- Immediately call your gas supplier from a neighbor's phone.
- Follow the gas supplier's instructions.
- If you cannot reach your gas supplier, call the fire department.
- Children and adults should be alerted to the hazards of high surface temperatures and be kept at a safe distance while fire table is in use.
- This outdoor fire table is NOT to be operated by children. Young children should be closely supervised when in the vicinity of this outdoor fire table.
- Do not hang or place clothing or other flammable materials on or near the gas fire table.
- Any guard or protective device removed for servicing the appliance shall be replaced prior to operating the appliance.
- Installation and repair should be done by a qualified service person. The appliance should be inspected before use and at least annually by a qualified service person. More frequent cleaning may be required as necessary. It is imperative that the control compartment, burners, and circulating air passageways of the appliance are kept clean.
- Keep these instructions for future reference. If you are assembling this unit for someone else, give this manual to him or her to read and keep for future reference.
- Do not use this unit for cooking.
- Do not pour water into the firetable.
- DO not use this outdoor fire table if any part has been under water. Immediately call a qualified service technician to inspect the fire table and to replace any part or control system and any gas control which has been under water.
- This gas fire table and its individual shut-off valve must be disconnected from the gas supply piping system during any pressure testing of that system at test pressures in excess of 2.9 mbar. The appliance must be isolated from the gas supply piping system by closing its individual manual shut-off valve during any pressure testing of the gas supply piping

Important Safety Information (Continued)

- This gas fire table must be used ONLY outdoors in a well-ventilated space and shall NOT be used inside a building, garage, or any other enclosed area.
- DO NOT use this outdoor gas fire table for indoor heating. TOXIC carbon monoxide fumes can accumulate and cause asphyxiation.
- NEVER LEAVE this gas fire table unattended when in use.
- Do NOT store or use gasoline or other flammable vapors and liquids within 25 feet (7.62m) of this or any other appliance.
- Do NOT store any combustible materials in the base enclosure.
- Never use a flame to check for gas leaks.
- The use of alcohol, prescription or non-prescription drugs may impair an individual's ability to properly assemble or safely operate this outdoor fire table.
- DO NOT use in an explosive atmosphere. Keep gas fire table area clear and free from combustible materials, gasoline and other flammable vapors and liquids.
- This outdoor fire table is not to be installed or used in or on recreation vehicles and/or boats.
- Always use in accordance with all applicable local, state and national codes. Contact your local fire department for details on outdoor burning.
- Use the same precautions you would with any open fire when using this outdoor fire table.
- DO NOT burn solid fuels such as: wood, charcoal briquettes, lump charcoal, manufactured logs, driftwood, trash, leaves, paper, cardboard, plywood, painted or stained or pressure treated wood in this outdoor fire table.
- DO NOT use this outdoor fire table until it is COMPLETELY assembled and all parts are securely fastened and tightened.
- DO NOT store another LP gas tank within 10 feet (3.05 m) of this outdoor fire table while it is in operation.
- DO NOT use this outdoor fire table near automobiles, trucks, vans or recreational vehicles.
- DO NOT use this outdoor fire table under any overhead structure or near any unprotected combustible constructions. Avoid using near or under overhanging trees and shrubs.
- Always use this outdoor fire table on a hard, level non-combustible surface such a concrete, rock or stone. An asphalt or blacktop surface may not be acceptable for this purpose.
- DO NOT wear flammable or loose clothing when operating this outdoor fire table.
- DO NOT use in windy conditions.
- Keep all electrical cords away from a hot outdoor fire table.
- Certain areas of this outdoor fire table when in use will become too hot to touch. Do not touch hot surfaces until the unit has cooled unless you are wearing protective gear such as insulated pot holders or heat resistant gloves or mittens to avoid burns.
- DO NOT attempt to move or store this outdoor fire table until all parts are cool.
- DO NOT lean over this outdoor fire table when lighting or when in use.
- Use only the regulator and hose assembly provided. The replacement regulator and hose assembly shall be that specified by the manufacturer.
- DO NOT attempt to disconnect the gas regulator from the tank or any gas fitting while the outdoor fire table is in use.
- Always shut off gas supply at the tank valve and disconnect regulator from the tank when the fire table is not in use.
- DO NOT sit on the fire table when the unit is in operation.
- DO NOT throw anything onto the fire when the unit is in operation.
- Lava rocks or fire glass are very hot; please keep children or pets at a safe distance.
- It is essential to keep the outdoor fire table valve compartment, burners, and circulating air passages clean. Inspect outdoor fire table before each use.

Important Safety Information (Continued)

- Prior to fire table operation, check the hose for evidence of excessive abrasion or wear. If the hose is damaged, cracked or cut, it must be replaced before using the gas fire table. The hose assembly can only be replaced with a hose assembly specified by the manufacturer.
- Before each use, remove the lava rocks. Examine the burner and its components. If dirty, clean with a soft brush and soapy water solution. Also examine the area around the burner. Any dirt or foreign material, such as spider webs or nests in this area should be removed. If it is evident that the burner is damaged, the fire table must not be used. The burner assembly must be replaced.
- Place the hose out of the pathways where people may trip over it. Do not place the hose in areas where it may be subjected to accidental damage.
 - The appliance should be limited such that accessibility to the flame is minimized if the appliance is not fitted with a guard.

DANGER

This outdoor fire table is for use with LPG and natural gas only. The conversion to or attempted use of natural gas in this outdoor fire table is dangerous and could result in serious personal injury, or property damage.

ATTENTION: Any alteration of the outdoor fire table that is not specifically directed in the operations manual will void manufacturer warranty.

Dangers And Warnings

LP GAS

LP gas is flammable and hazardous if handled improperly. Become aware of the characteristics before using any LP gas product.

LP GAS WARNINGS

- Cylinders must be stored outdoors in a well-ventilated area out of reach of children.
- Disconnected cylinders must have threaded valve plugs tightly installed and must not be stored in a building, garage or any other enclosed area.
- Never use a LP cylinder with a damaged body, valve, collar or footing.
- Dented or rusted LP cylinders may be hazardous and should be checked by your LP gas supplier.

Before installation, ensure that the local distribution conditions (identification of the type of gas and pressure) and the adjustment of appliance are compatible.

appliance shall be connected in accordance with national regulations

Propane (LP) Dangers And Warnings (Continued)

- LP gas tank must be arranged for vapor withdrawal.
- The LP gas tank must have a tank collar to protect the tank valve.
- The LP gas tank should not be dropped or handled roughly.
- Tanks must be stored outdoors out of the reach of children. Do NOT store in a building, garage, or any other enclosed area.
- Never store your LP gas tank where temperatures can reach over 125°F.
- Do not store the LP gas cylinder in direct sunlight or near a source of heat or combustion.
- Never keep a filled LP gas tank in a hot car or car trunk. Heat will cause the gas pressure to increase, which may open the relief valve and allow gas to escape.
- Place dust cap on valve outlet whenever the LP gas tank is not in use. Only install the type of dust cap on the LP gas tank valve outlet that is provided with the LP gas tank valve. Other types of caps or plugs may result in leakage of propane.
 - a. Do not store a spare LP gas cylinder under or near this appliance.
 - b. Never fill the LP gas cylinder beyond 80% full.
 - c. If the information in (a) and (b) is not followed exactly, a fire causing death or serious injury may occur.
- LP gas cylinders should be filled only by a certified LP gas dealer.
- Use the regulator that it shall comply with the EN 16129 pressure.
- Never attempt to attach this appliance to the self-contained LP gas system of a camper trailer, motor home or house.
- Always use the pressure regulator and hose assembly provided with the appliance to connect to a LP gas cylinder. Never connect to an unregulated LP gas supply.
- Hand turn the manual gas control valve. Never use tools. If the valve will not turn by hand, do not try to repair it. Call a Certified Gas Technician. The use of force or any self attempted repair may result in a fire or explosion.

Connecting your gas cylinder:

Before connection, be sure that there is no debris caught in the head of the gas cylinder, head of the regulator valve or in the head of the burner and burner ports. Connect regulator valve and hand-tighten firmly. Disconnect the propane cylinder from the regulator valve when the fire table is not in use. DO NOT obstruct the flow of combustion air and ventilation air to the burner.

Lava Rock Warning:

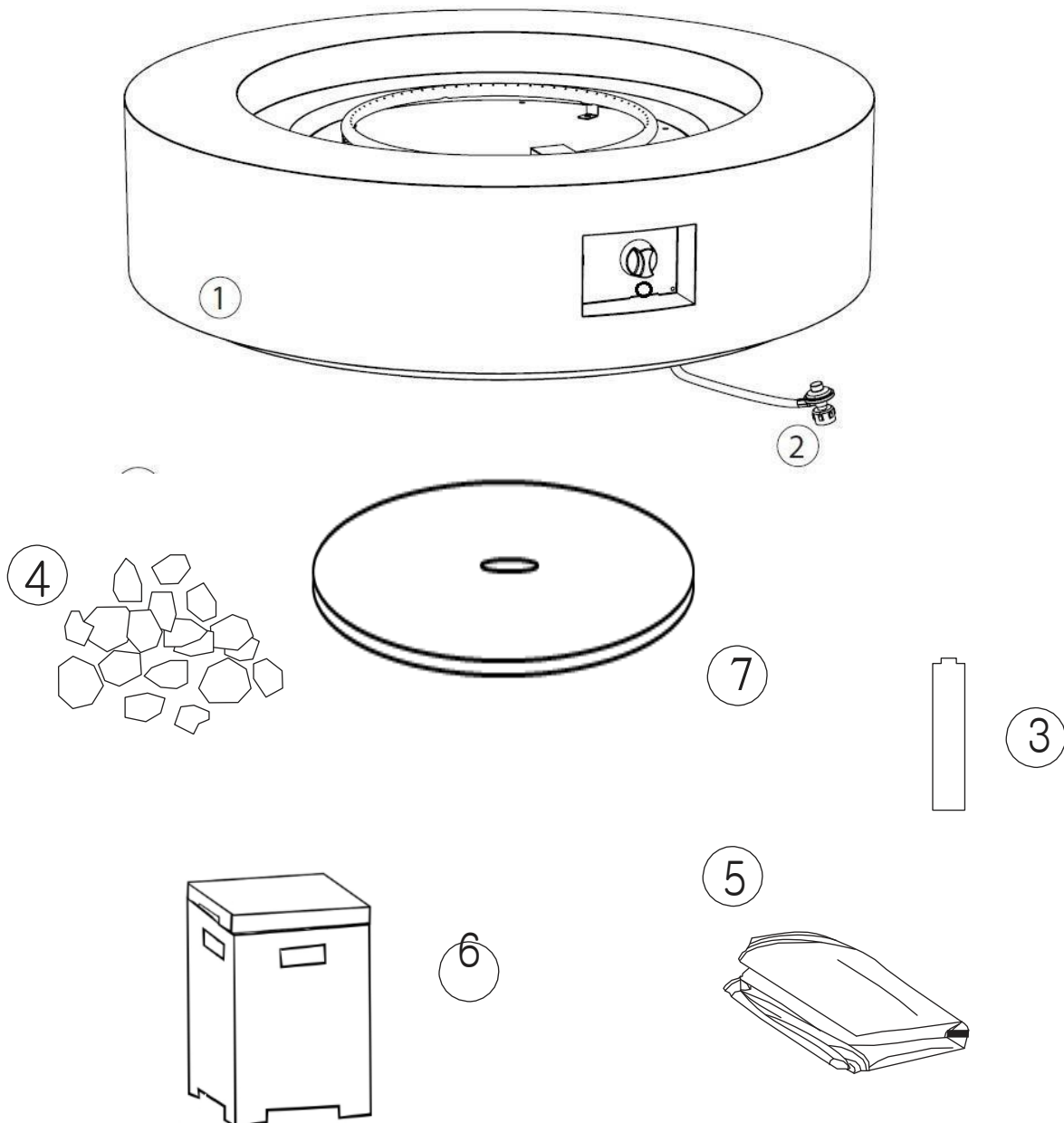
1. Do not light or use this firetable if lava rocks are wet. Ensure lava rocks are completely dry before lighting. Intense heat can cause wet lava rocks to explode and they could hit someone causing injury.
2. Please keep away from the firetable for at least 20 minutes during initial start-up as lava rocks could retain some moisture from manufacturing and shipping.

Hose & Regulator Assembly And Replacement

1.
 - a. If the burner valve is open prior to the LP gas cylinder service valve being opened, the connection will interpret this free flow of gas to be a leak.
 - b. The connection safety feature will reduce gas flow from the regulator to the appliance to a minimal level.
 - c. Be sure that the burner control valve is closed prior to opening the LP gas cylinder service valve to ensure that the connection flow limiting device is not triggered mistakenly.
 - d. If the connection flow limiting device is triggered mistakenly, close the LP gas cylinder service valve and the burner valve, wait 10 seconds to allow the device to reset, open the cylinder service valve, then open the burner valve and light the fireplace as per lighting instructions.
2. Be sure to protect the hose from any hot surfaces. Serious danger may result if the hose contacts any hot surface.
3. Regular maintenance of the hose and regulator:
 - a. Inspect the hose before each use of the fire table. If the hose shows signs of cracks, abrasions, cuts or damage of any kind, do not operate the appliance. Fix or replace the hose as required before using the appliance. Use only replacement parts from the manufacturer.
 - b. Inspect the seal inside the valve on the LP gas cylinder when replacing the cylinder or at least once per year. If there is any indication of damage, have the seal replaced by a certified gas dealer before operating the appliance.
4. Do not use tools to tighten the connection nut onto the LP gas cylinder service valve. Hand tighten only.
5. Be careful to not cross the threads on the connection when tightening the connection on to the LP gas cylinder service valve.
6. "Leak Test" should always be performed after attaching the connection to the LP gas cylinder service valve. (See "Checking for Leaks" section of this manual on page 12)
7. For the connection of the hose and regulator to the LP tank, refer to the "Connection" section of the LP gas cylinder section above.

Parts List

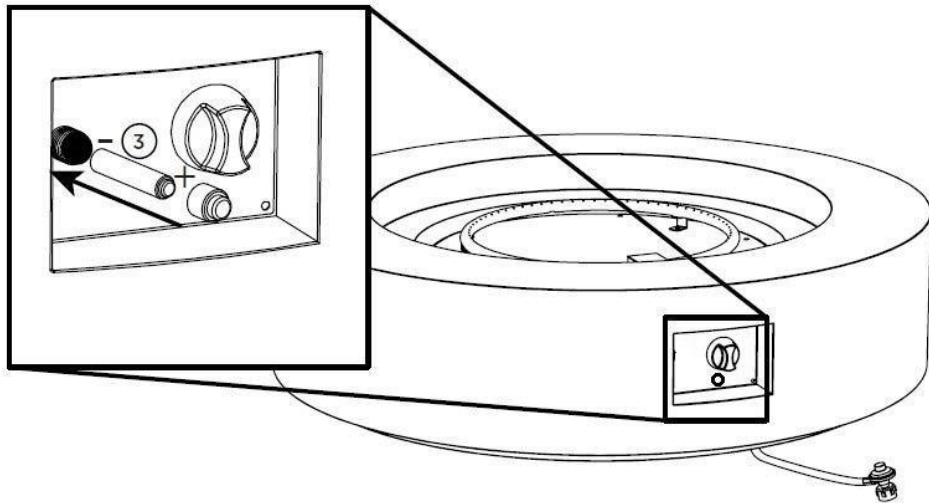
Item	Quantity
① Table	1
② LP Gas Regulator and Hose	1
③ AAA Battery (Optional)	1
④ Lava Rock or Fire Glass (Optional)	1 box
⑤ Vinyl Cover (Optional)	1
⑥ Tank Seat (Optional)	1
⑦ Table Lid (Optional)	1



Assembly Instructions

Install the AAA battery as shown in the diagram below.

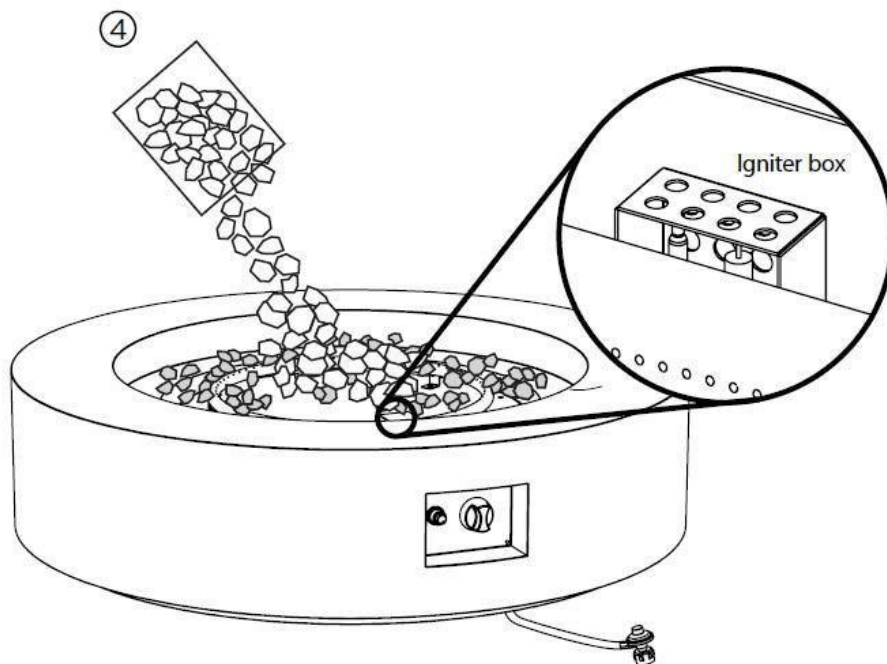
1



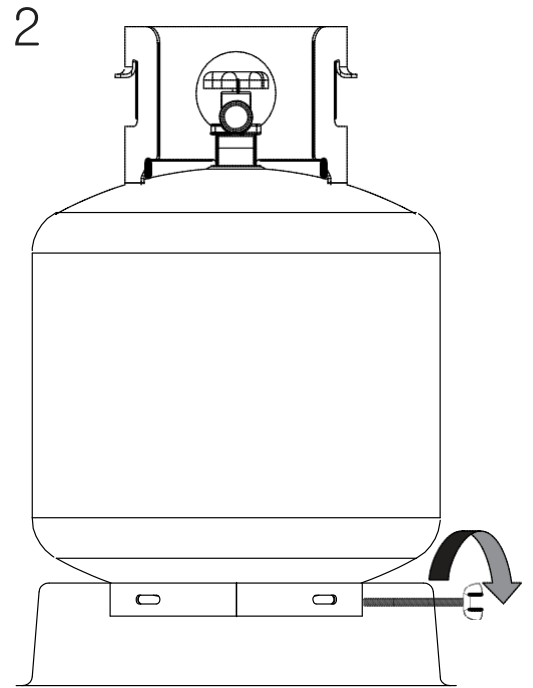
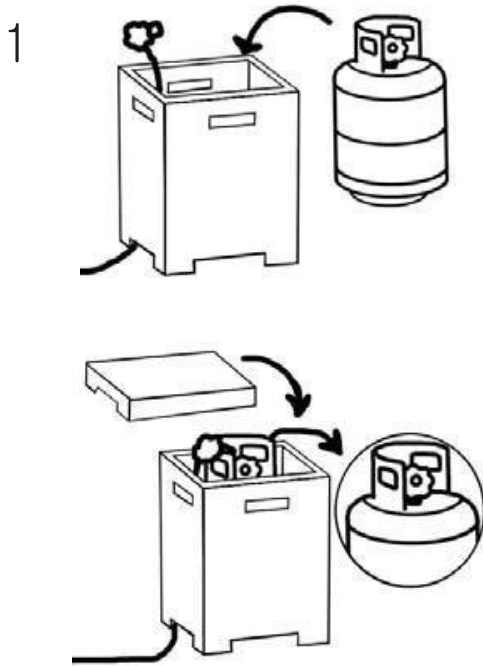
! WARNING Batteries may contain Mercury. Do not put it into the fire or trash. Please treat it as hazardous waste and recycle properly.

Place lava rock by hand. Do NOT dump bag out into tray to avoid clogging the burner with dust. Put Lava Rock or Fire glass inside and around the burner as shown. Make sure that you do not block the igniter box with lava rock to ensure proper ignition.

2

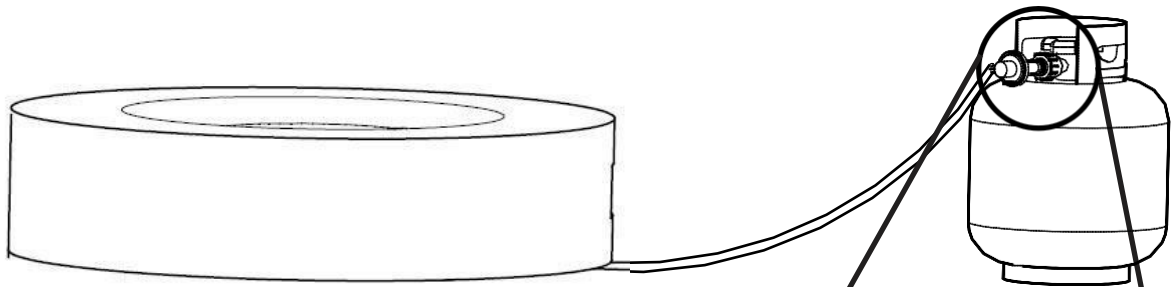


1. Place the tank seat on the ground and place a 20lb. propane tank into the tank seat (5).
2. Tighten down the screw in the bottom of the tank seat to secure the propane tank.



4

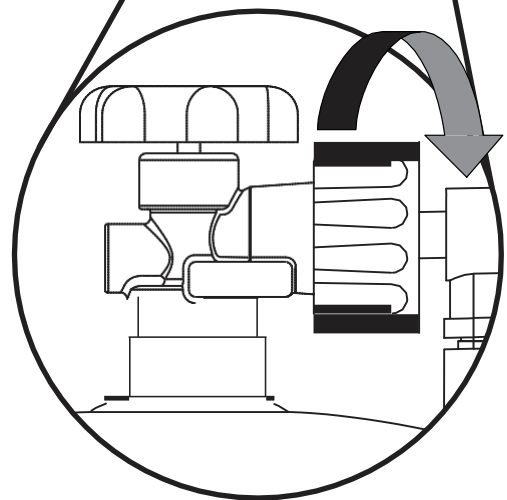
Connecting the LP Gas Tank



Check to make sure there is no debris in the head of the LP gas tank or in the head of the regulator valve. Make sure you check the burner and burner ports as well.

Connect gas line to tank by turning knob clockwise. Hand tighten only.

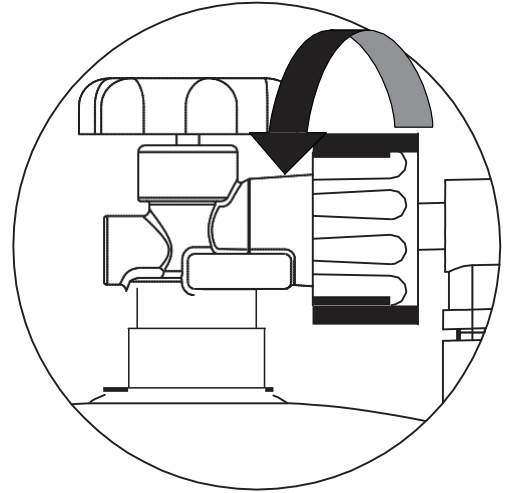
Make sure that there are no kinks or bends in the hose and that it is placed out of any pathways where people will not trip on it.



Disconnecting the LP Gas Tank

Make sure the valve on the LP gas tank is OFF.

Disconnect by turning the knob counter clockwise until it is off .



When using the NATURAL GAS as gas supplies, please ask the local professionals to install the extension pipe in advance. The thread of the end of gas inlet connection should be directly and tightly connected with the natural gas outlet of extension corrugated pipe, and carefully check the leak before use.

▲ NOTE

Always disconnect the LP Gas tank when the fire table is not in use. Leaving the LP Gas tank connected could cause the excess flow safety device to trip.

Technical data

Appliance name	GAS FIRE PIT		Model No.	GF-1070RDR/1070SQR/etc.
Burner type	10 inches round burner <input type="checkbox"/>		13 inches round burner <input type="checkbox"/>	
Nominal heat input	12kW(946g/h)		13.2kW(1040g/h)	
Serial number	2018121070RDR-01		Pin code	2531CS-0167
Electrical data	N/A		New weight	42 kg
GAS CATEGORY	GAS TYPE AND PRESSURE	Injector size(mm)		DESTINATION COUNTRIES
		10inch burner	13inch burner	
I3+(28-30/37) <input type="checkbox"/>	G30:(28-30)mbar/ G31:37mbar	1.74	1.86	BE, FR, IT, LU, IE, GB, GR, PT, ES, CY, CZ, LT, SK, CH, SI, LV
I3B/P(30) <input type="checkbox"/>	G30, G31 or their mixture: (28-30) mbar	1.74	1.86	LU, NL, DK, FI, SE, CY, CZ, EE, LT, MT, SK, SI, BG, IS, NO, TR, HR, RO, IT, HU, LV
I2H(20) <input type="checkbox"/>	G20:20mbar	2.86	3.0	FR, IT, NL, DK, IE, GB, GR, ES, PT, AT, FI, SE, CZ, EE, HU, LV, LT, SK, SI, IS, NO, CH, TR, BG, HR, RO.
I2E(20) <input type="checkbox"/>	G20:20mbar	2.86	3.0	DE, LU, PL

Information of adjuster and assembly of exchangeable parts:

Safety valve & control knob: KSUN BS190
Stainless Burner : GB-FRR 1013/GB-FRR1318
Ignition device:DHLG-12

Manufacturer: EOS HOME DECOR Co.,Ltd.
Address: No.94 Yueken Road, Tianhe District, Guangzhou, Guangdong,China

Pre-Use Instructions

Prior to each gas fire table operation, check the hose and valve for evidence of excessive abrasion or wear.

▲ WARNING Before using this outdoor fire table, make sure you have read, understand and are following all information provided in the Important Safety Information section of this manual. Failure to follow those instructions can cause death, serious injury or property damage.

CHECKING FOR LEAKS

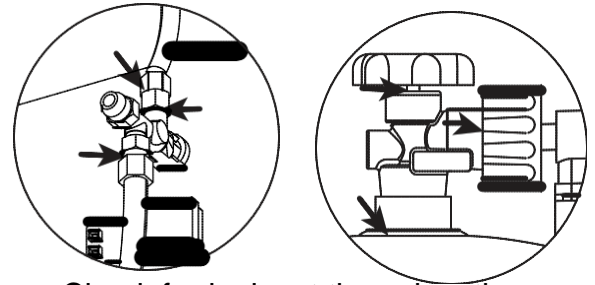
Make a leak check solution by mixing 1 part dishwashing soap with 3 parts water in a spray bottle.

Make sure control knob is " OFF." Then, turn LP gas tank to " ON" at valve.

Spray leak solution on valve connections paying particular attention to the areas indicated by arrows.

If any bubbles appear turn LP gas tank OFF, reconnect and re-test. If you continue to see bubbles after several attempts, disconnect LP gas source.

If no bubbles appear after one minute turn tank OFF, wipe away solution and proceed.



Check for leaks at these locations

▲ WARNING

- DO NOT use an open flame to check for leaks.
- DO NOT smoke while testing the unit.
- NEVER test the unit indoors.
- Leak checks must be performed any time the gas cylinder is replaced.

Inspecting

This outdoor fire table must be inspected regularly to ensure that the product is safe to use and to extend product life.

▲ WARNING DO NOT inspect this outdoor fireplace until the fire is COMPLETELY out.

1. Check the burner to make sure it is securely in place and that there is not excessive wear or damage.
2. Check the burn tube to make sure it is clear and free of insects, spider nests and other debris.
3. Check all gas connections for leaks.
4. Check ignition system to insure proper sparking.
5. Check components for any signs of damage, rust or excessive wear.
6. If damage to any component is detected, DO NOT operate until the proper repairs have been made.

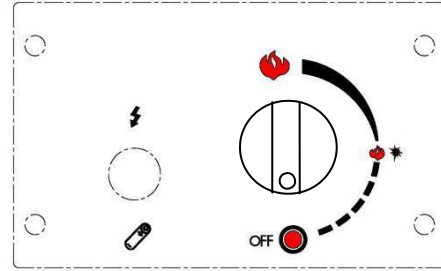
▲ WARNING DO NOT tamper with this appliance. This is DANGEROUS and will void the warranty. Any part found to be faulty must be replaced with an approved part, confirmed by the manufacturer.

⚠ WARNING

If burner flame goes out during operation, immediately turn the control knob "OFF" and let the gas clear a minimum of 5 minutes before attempting to re-light the fireplace.

⚠ WARNING

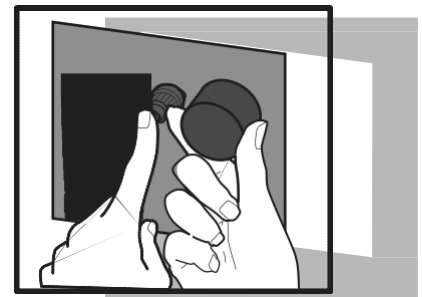
Do not wear loose or flammable clothing while lighting fire table.



Control panel with knob

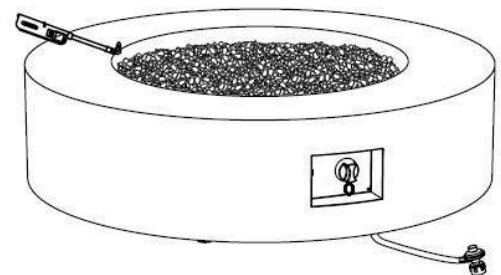
Using the igniter

1. Read and understand all operating instructions before lighting.
2. Burner control knob must be in the "OFF" position.
3. Connect propane (LP) cylinder (see above pages).
4. Slowly open valve on LP gas cylinder.
5. Push and hold igniter button to create sparks.
6. While holding the igniter button with one hand, use your other hand to push and turn the control knob to the "LOW" position to light the burner.
7. Keep Burner Control Knob pressed in for 15-30 seconds after ignition.
8. If ignition does not occur in 30 seconds, turn control knob to the "Off" position and turn gas off at the source, wait 5 minutes until gas has cleared and repeat lighting procedure.
9. Adjust the flame to the desired height with the control knob.



Using a Long Match or Lighter

1. Prior to lighting, use a shovel to move the lava rocks for access to the burner.
2. Wearing heat resistant gloves, position the burning long match or burning butane lighter near the side of the burner. **DO NOT** lean over the fire table while lighting!
3. Turn control knob counterclockwise to "LOW".
4. Remove long match/long butane lighter.
5. After lighting, use a shovel and heat resistant gloves to carefully move the lava rocks back into their proper position.
6. Adjust the flame to the desired height with the control knob.



⚠ WARNING

When using this method to light your fire table use heat resistant gloves and follow the step by step instructions. Failure to do so could result in severe injury.

Please refer to the trouble shooting, and helpful tips sections for additional support, beginning on page 17.

Care and Cleaning

General Care and Cleaning

This outdoor fire table should be cleaned regularly to ensure safe use and extend product life and need regular servicing of the fire table

Debris from any source, or any soot formed shall require removal. Specific methods as below.

NOTE: After repeated use, a slight discoloration of the finishes may occur.

WARNING

DO NOT attempt to clean this outdoor fireplace unless the fire is completely out and the unit is cool to the touch.

DO NOT use oven cleaner or abrasive cleaners as they will damage this product. DO NOT USE SOLVENTS while in closed spaces or while smoking.

Table Body

1. Wipe exterior surfaces with a mild dishwashing soap or baking soda, then rinse clean with water.

Stainless Steel

1. For general cleaning use warm water, soap, ammonia, or detergent apply with a soft cloth or sponge.
2. For finger prints or smears use 3M Stainless Steel Cleaner and Polish, Arcal 20, Lac-O-Nu, Lumin Wash, O’Cedar Cream
Polish, Stainless Shine, this will provide a barrier film to minimize fingerprints.*
3. For stubborn stains and discoloration use 3M Stainless Steel Cleaner and Polish, Allchem Concentrated Cleaner, Samae, Twinkle, Cameo Copper Cleaner, Liquid Nu Steel, Copper’s or Revere Stainless Steel Cleaner, apply using a soft cloth in the same direction of the polish lines.*
4. NOTE: Even the finest cleaning powders can scratch or burnish a mill-rolled finish. On polished finishes, rubbing or wiping should be done in the direction of polish lines.

* Use of proprietary names is intended only to indicate a type of cleaner and does not constitute an endorsement. Omission of any proprietary cleanser does not imply its inadequacy. All products should be used in strict accordance with instructions on package.

Storage

WARNING

DO NOT move or store this fire table unless the fire is COMPLETELY out and is cool to the touch.

1. Turn gas OFF at tank connection. Remove tank and store in a cool, dry location outdoors, away from children.
2. Carefully remove rock filler and store components flat to protect them from breakage.
3. ALWAYS cover your outdoor fire table when not in use.
4. Store in a cool, dry location away from children and pets.
5. Any purpose-provided ventilation should be checked regularly to ensure that it free from obstruction

Helpful Tips

If the burner will not light or stay lit, please perform the following checks.

It is possible that the Excess Flow Safety Device has been tripped.

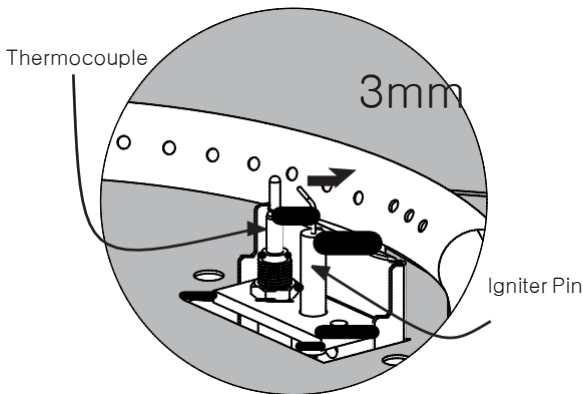
Turn the control knob to off and close the LP Gas tank valve. Disconnect the regulator. Turn the Control Knob to "HIGH". Wait a minimum of 5 minutes.

Turn burner control knob back to "OFF". Reconnect the regulator and perform a leak check at tank connection. Turn the LP Gas tank valve on slowly, wait 30 seconds and then light the outdoor fire table.

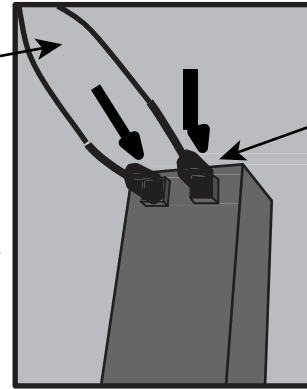
To ensure proper ignition make sure the igniter pin is properly positioned and connected.

The Igniter Pin must be 3 mm (1/8") away from the burn tube. (Below Left)

The ignition wires must be fully inserted into the ignitor box. The ignitor box is located next to the control valve under the unit.

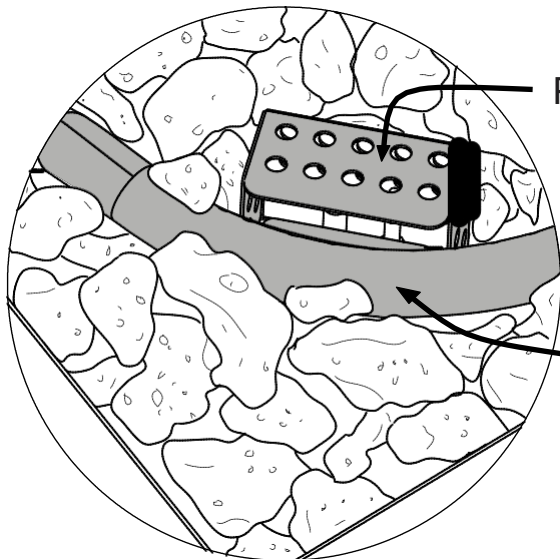


If wires are too close, or tangled, they could short. Make sure they are spaced apart from each other.



Make sure that the pilot housing is unobstructed.

Clear any debris on top of the pilot housing and make sure there is no debris between the igniter pin, thermocouple and the burner tube.

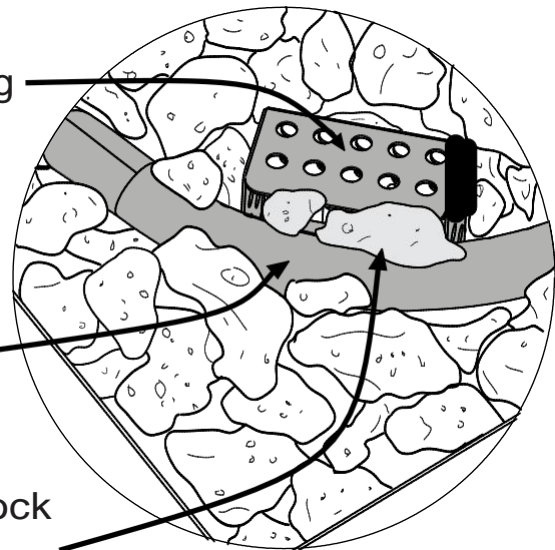


CORRECT

Pilot Housing

Burner Tube

Do not block opening



INCORRECT

Troubleshooting

Problem: Burner will not light using igniter

Please review the Helpful Tips on page 15 for common fixes to this problem.

Possible Cause 1: Electrode and burners are wet.

-Wipe dry with cloth.

Possible Cause 2: Igniter battery is dead or backwards.

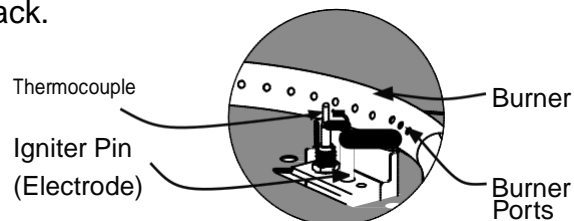
-Check that the AAA battery is inserted correctly in the igniter (see page 10) or replace the battery. Make sure the plastic wrap on the battery has been removed.

Possible Cause 3: Igniter Pin cracked or broken - sparks at crack.

-PLS contact retailer for technical support.

Possible Cause 4: Bad Igniter

-PLS contact retailer for technical support.



Problem: Burner will not light with match

Possible Cause 1: No Gas Flow

-Check if the LP gas tank is empty. If empty, replace and refill. If the propane tank is not empty, refer to "Problem: Sudden drop in gas flow" on the following page.

Possible Cause 2: Coupling nut and regulator not fully connected.

-Turn the coupling nut about one half to three fourths a turn, until you feel a solid stop. Do not use tools, tighten by hand only.

Possible Cause 3: Obstruction of gas flow.

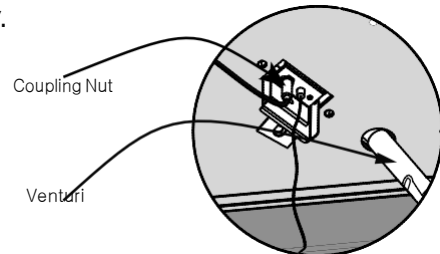
- Check for bent or kinked hose.

Possible Cause 4: Spider webs or insect nest in the venturi.

- Clean the venturi.

Possible Cause 5: Burner ports clogged or blocked.

-Reference " Problem: Irregular flame pattern" on the following page. Clean the burner ports as described there.



Problem: The fireplace emits a lot of black smoke when in use

Possible Cause 1: Hose from gas fireplace is pinched.

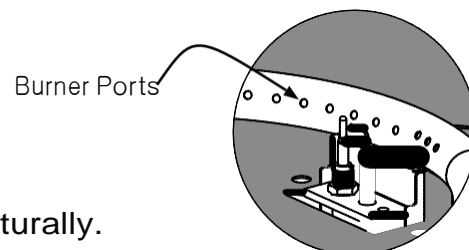
-Make sure the hose is not pinched between the fire table and the source of the gas.

Possible Cause 2: Flame is being obstructed at burner ports.

-Make sure that the gas ports on the burner are free of any lava rocks/fire glass so that the flame can flow naturally.

Possible Cause 3: Mixing chamber of the burn tube is blocked or obstructed.

-Clear out the mixing chamber located before the Venturi.



Troubleshooting

Problem: Sudden drop in gas flow, or a reduced flame height

Possible Cause 1: Out of Gas.

-Check for gas in the LP gas tank.

Possible Cause 2: Excess flow safety device may have been activated.

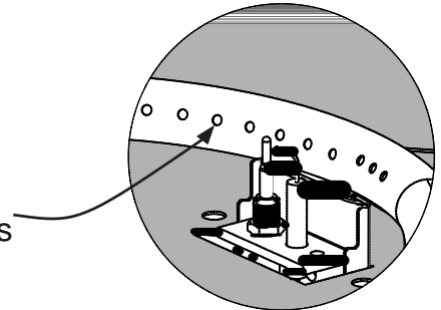
-Turn control knob to " OFF" , wait 30 seconds and light outdoor fire table. If flames are still too low, reset the excessive flow safety device by turning off the control knob and LP gas tank valve. Disconnect regulator. Turn burner control knob to " HIGH" . Wait at least 5 minutes. Turn burner control knob off . Reconnect regulator and perform a leak check at tank connection. Turn LP gas tank valve on slowly, wait 30 seconds and then light outdoor fire table.

Problem: Irregular flame pattern, flame does not run the full length of the burner

Possible Cause: Burner ports are clogged or blocked.

-Clean burner ports. Do this by inserting a paperclip into each of the burner ports to ensure they are not clogged. **WARNING:** Make sure burner is not on, and has had sufficient time to cool before touching it.

Burner Ports



Problem: Flame blow out

Possible Cause 1: High or gusting winds.

-Increase flame to "HIGH" setting.

Possible Cause 2: Low on LP gas.

-Replace or refill LP gas tank.

Possible Cause 3: Excess flow valve tripped.

-Refer to "Problem: Sudden drop in gas flow"

Problem: Flame seems to lose heat when burning in cold weather - temperature below 50°F

Possible Cause 1: Ice has built up on the outside of the LP gas tank because the vaporization process is too low.

-Turn the control knob and the LP gas tank to " OFF". Replace with a spare LP gas tank and resume burning. Store the spare LP gas tank in a well ventilated area, away from children.

If these trouble shooting steps are unable to resolve the problem,

PLS contact retailer for technical support.